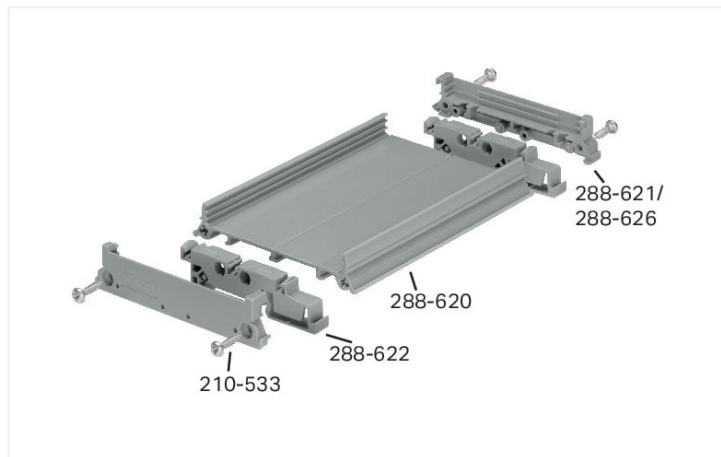


Data Sheet | Item Number: 288-622

Fixing foot for DIN 35 rail; gray

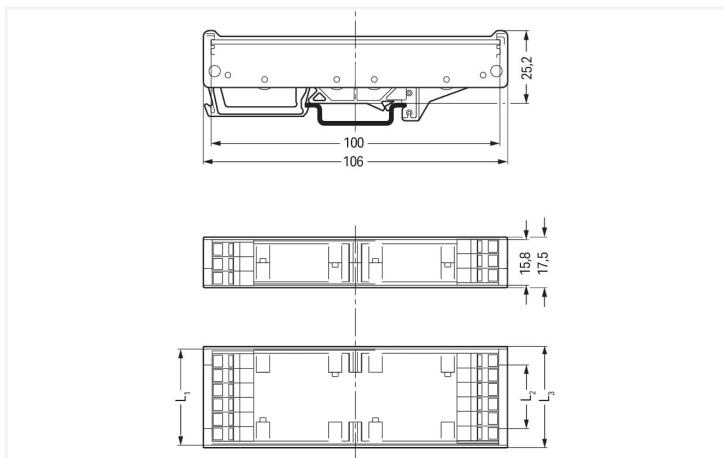
<https://www.wago.com/288-622>



Color: ■ gray

Similar to illustration

DIN-rail-mount PCB carrier, size 2



Dimensions in mm

L1 = PCB/cover length

L2 = L1 - 15.8 mm (L2 = carrier base length)

L3 = L1 + 2 mm

DIN-rail-mount PCB carrier, size 2 – mounting foot for DIN-35 rail

Mechanical data

Mounting type: DIN-35 rail

Material data

Color: gray
Fire load: 0.186 MJ
Weight: 5.3 g

Commercial data

Product Group	6 (INTERFACE ELECTRONIC)
eCl@ss 10.0	27-18-27-02
eCl@ss 9.0	27-18-27-02
ETIM 9.0	EC001031
ETIM 8.0	EC001031
PU (SPU)	100 (1) pcs
Packaging type	Box
Country of origin	DE
GTIN	4017332639460
Customs tariff number	39269097900

Environmental Product Compliance

RoHS Compliance Status	Compliant, No Exemption
------------------------	-------------------------

Downloads

Environmental Product Compliance

Compliance Search

Environmental Product
Compliance 288-622



CAD/CAE-Data

CAD data

2D/3D Models 288-622



CAE data

WSCAD Universe
288-622



ZUKEN Portal 288-622



1 Compatible Products

1.1 Optional Accessories

1.1.1 Installation

1.1.1.1 Mounting accessories



[Item No.: 210-533](#)

Phillips screw 2.9 x 13

1.1.1.2 Mounting carrier and mounting feet



[Item No.: 288-620](#)

Track section; Size 2; 1 m long; gray



[Item No.: 288-620/024-000](#)

Track section; Size 2; gray

Subject to changes. Please also observe the further product documentation!

Current addresses can be found at: www.wago.com