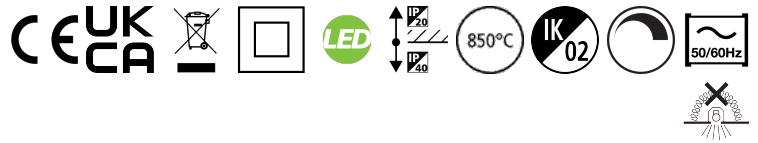


Concord

Solstice 150 3100lm 940 DALI
2070419



Features

- Solstice 150 3100lm 940 DALI

Product Overview

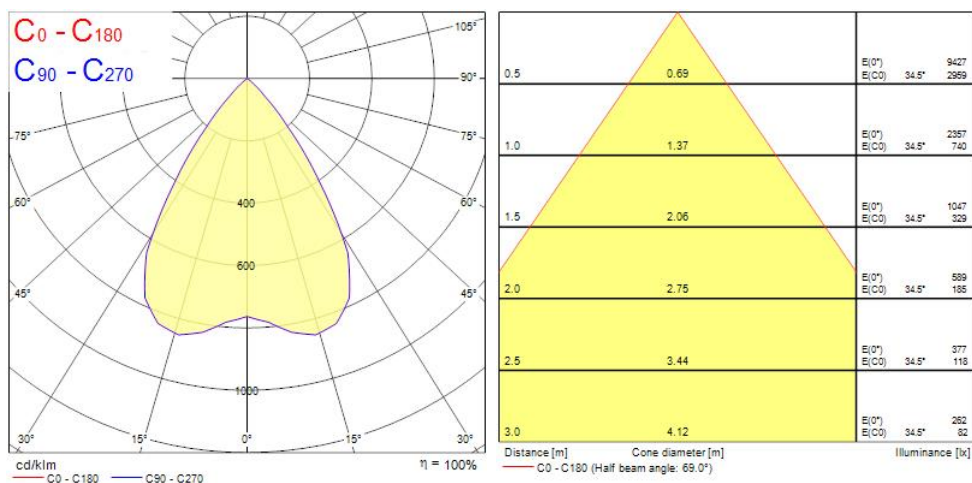
Product name	Solstice 150 3100lm 940 DALI
Technology	LED
Cap/Base	N/A
Housing	Aluminium
Mount	Ceiling recessed mounting
General application	Office, Retail
ETIM Class	EC001744
Fixture luminous flux (lm)	3100
Luminaire efficacy (lm/W)	129
LOR (%)	100
Correlated colour temperature (k)	4000
Light colour	Neutral White
CRI (Ra)	90
Colour Consistency (SDCM)	3
Colour Variation Initial (SDCM)	3
Beam Angle (°)	70
Glare control	< 20
Photobiological Risk Group	RG1
Total power consumption (W)	24

Concord

Solstice 150 3100lm 940 DALI
2070419

Electrical protection	Class II
Control gear type	LED driver constant current
Dimmable	Yes
Minimum dimming level (%)	1
LED Flickering Rate	Ultra low (5% or less)
Housing colour	RAL9016
IP rating	IP40/20
IK rating	IK02
Product EAN number	5025768704194
Warranty	5 years
Dimming method	DALI, DALI-2, Switch-dim (mains-rated)

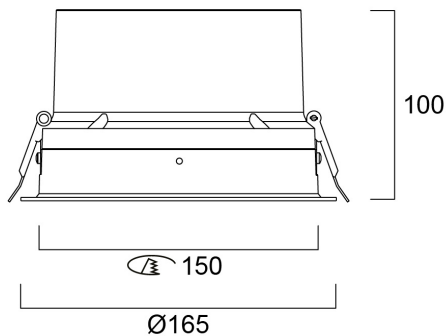
Photometry



Concord

Solstice 150 3100lm 940 DALI
2070419

Technical drawings



Data table

GENERAL DATA

Product name	Solstice 150 3100lm 940 DALI
Technology	LED
Cap/Base	N/A
Housing	Aluminium
Mount	Ceiling recessed mounting
General application	Office, Retail
Operating temperature range (°C)	-10°C...+40°C
Performance ambient temperature Tq (°C)	40
ETIM Class	EC001744
Warranty	5 years

OPTICAL DATA

Fixture luminous flux (lm)	3100
Luminaire efficacy (lm/W)	129
LOR (%)	100

Concord

Solstice 150 3100lm 940 DALI 2070419

Correlated colour temperature (k)	4000
Light colour	Neutral White
CRI (Ra)	90
Colour Variation Initial (SDCM)	3
Colour Consistency (SDCM)	3
Beam Angle (°)	70
Distribution type	Symmetric
Glare control	< 20
Photobiological Risk Group	RG1

ELECTRICAL DATA

Total power consumption (W)	24
Current (A)	1
Primary Supply/Product voltage - min (V)	220.0
Primary Supply/Product voltage - max (V)	240.0
Lamp power factor	0.98
THD (at 230 V, 50 Hz, full load, at 100% dimming level) ≤ xx.x %	9
Electrical protection	Class II
Control gear required	No
Control gear type	LED driver constant current
Dimmable	Yes
Dimming method	DALI, DALI-2, Switch-dim (mains-rated)
Minimum dimming level (%)	1
Drive current (mA)	650
Inrush Current (A)	18
Inrush Duration (µs)	140
Energy Efficiency Class (A->G) of contained light source	C
Nominal Frequency (Hz)	50/60Hz
LED Flickering Rate	Ultra low (5% or less)
Max. products per 10A C Breaker	36
Max. products per 13A C Breaker	50
Max. products per 16A C Breaker	60
Max. products per 20A C Breaker	76

Concord

Solstice 150 3100lm 940 DALI 2070419

Max. products per 10A B Breaker	22
Max. products per 13A B Breaker	30
Max. products per 16A B Breaker	36
Max. products per 20A B Breaker	46
Connectable conductor cross section - Min (mm ²)	0.5
Connectable conductor cross section - Max (mm ²)	2.5

LIFETIME DATA

Lifespan L70 B50	120000
Lifespan L70 B20	120000
Lifespan L70 B10	120000
Lifespan L80 B50	120000
Lifespan L80 B20	120000
Lifespan L80 B10	120000
Lifespan L90 B50	84000
Lifespan L90 B20	76000
Lifespan L90 B10	74000

PHYSICAL DATA

Housing colour	RAL9016
IP rating	IP40/20
IK rating	IK02
Diffuser finish	Diffuse
Diffuser material	PC Polycarbonate
Reflector finish	High-gloss
Nominal Product Height (mm)	100
Nominal Product Diameter (mm)	165
Built-in diameter (mm)	150
Max. Lamp Diameter (mm) - D	165
Weight (kg)	0.95
Recessed Depth (mm)	150

Concord

Solstice 150 3100lm 940 DALI
2070419

PACKAGING

Product EAN number	5025768704194
Packaging single length / height (cm)	27.5
Packaging single width (cm)	25.0
Packaging single depth (cm)	12.5
DUN14 (inner)	05025768704194
Units per outer package	1
Packaging outer length / height (cm)	27.5
Packaging outer width (cm)	25.0
Packaging outer depth (cm)	12.5

SAFETY DATA

Glow Wire Test (°C)	850
Optimal operating condition (°C)	-10-40
Special purpose lamp	No
Dry applications use only	No
Suitable for household illumination	No