



Features

- Premium performance professional LED GU10 range with the same look and feel of traditional halogen GU10 lamp Recreates backlight effect similar to halogen dichroic lamps Full glass design - means no colours clashing between lamp and fixture Very long lifetime of up to 25,000 hours COOLFIT functionality – ensures overheat and over temperature protection High switching cycles: >100,000 High colour rendering: CRI80 Dimmable with approved dimmers Warranty: 5 Years

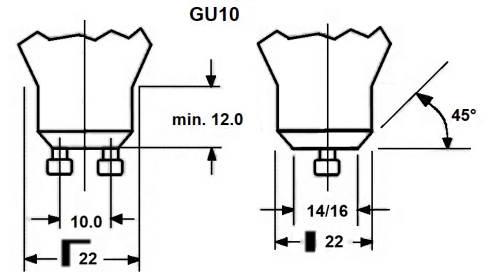
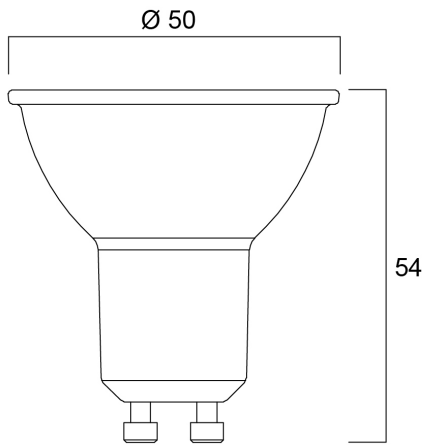
Product Overview

Product name	RefLED Superia Retro ES50 V3 345LM DIM 827 36 SL
Technology	LED
Watt (Rated) (W)	4.5
Fixture rating	Open
General application	Education, Hospitality, Museums & Galleries, Office, Residential & Consumer, Retail
ETIM Class	EC001959
E-number FI	4741021
Correlated colour temperature (k)	2700
Light colour	Homelight
CRI (Ra)	80
Colour Consistency (SDCM)	6
Colour Variation Initial (SDCM)	6
Beam Angle (°)	36
Photobiological Risk Group	RG1
Wattage (W)	4.5
Power consumption (W)	4.5

RefLED Superia Retro ES50 V3 345LM DIM 827 36 SL 0029125

Dimmable	Yes
Average life (Nominal) (h)	25000
Product EAN number	5410288291253
Warranty	5 years
Useful luminous flux (#use)	345

Technical drawings



Data table

GENERAL DATA

Product name	RefLED Superia Retro ES50 V3 345LM DIM 827 36 SL
Technology	LED
Watt (Rated) (W)	4.5
Fixture rating	Open
General application	Education, Hospitality, Museums & Galleries, Office, Residential & Consumer, Retail
Operating temperature range (°C)	-20°C...+50°C
Performance ambient temperature Tq (°C)	25

RefLED Superia Retro ES50 V3 345LM DIM 827 36 SL 0029125

ETIM Class	EC001959
E-number FI	4741021
Warranty	5 years

OPTICAL DATA

Useful luminous flux (#use)	345
Correlated colour temperature (k)	2700
Light colour	Homelight
CRI (Ra)	80
Colour Variation Initial (SDCM)	6
Colour Consistency (SDCM)	6
Luminous Intensity (cd)	700
Beam Angle (°)	36
Photobiological Risk Group	RG1
Lumen maintenance at end of nominal life (%)	70

ELECTRICAL DATA

Power consumption (W)	4.5
Wattage (W)	4.5
Equivalent watt (W)	50
Primary Supply/Product voltage - min (V)	220
Primary Supply/Product voltage - max (V)	240
Control gear required	No
No. Of switching cycles before premature failures	>100000
Dimmable	Yes
Inrush Current (A)	0.55
Inrush Duration (µs)	32
Lamp Energy Label (class)	F
Max. products per 16A C Breaker	762
Max. products per 16A B Breaker	762

LIFETIME DATA

RefLED Superia Retro ES50 V3 345LM DIM 827 36 SL 0029125

Lifespan L70 B50	25000
Average life (Nominal) (h)	25000
Average life (Rated) (h)	25000

PHYSICAL DATA

Nominal Product Height (mm)	54
Nominal Product Diameter (mm)	50
Weight (kg)	0.048

PACKAGING

Product EAN number	5410288291253
Packaging single length / height (cm)	8.2
Packaging single width (cm)	6.1
Packaging single depth (cm)	5.1
DUN14 (inner)	15410288291250
Units per inner package	6
Packaging inner length / height (cm)	19.4
Packaging inner width (cm)	11.3
Packaging inner depth (cm)	9.5
DUN14 (outer)	25410288291257
Units per outer package	60
Packaging outer length / height (cm)	58.8
Packaging outer width (cm)	21.8
Packaging outer depth (cm)	21.7

SAFETY DATA

Optimal operating condition (°C)	-20-50
Breakage cleaning instructions	Not applicable
Special purpose lamp	No
Dry applications use only	Yes
Suitable for household illumination	Yes
Safety message	Dimmable with approved dimmers

SYLVANIA

RefLED Superia Retro ES50 V3 345LM DIM 827 36 SL
0029125

Energy label



0029125



5
kWh/1000h



2019/2015



0029125



5
kWh/1000h



2019/2015