



Features

- Integrated LED highbay; Black aluminium housing; 19100Lm; 135 W; 141 Lm/W; 6500K; Drive current: 540mA; CRI 80; 85° beam angle; 0-10V dimmable; IP65; IK08; Lifespan L80:B50 90,000 hrs; (D x H) 321 x 169 mm; 1.5 m mains cable; 1.5 m control cable; 1.2 m chain length including hooks.



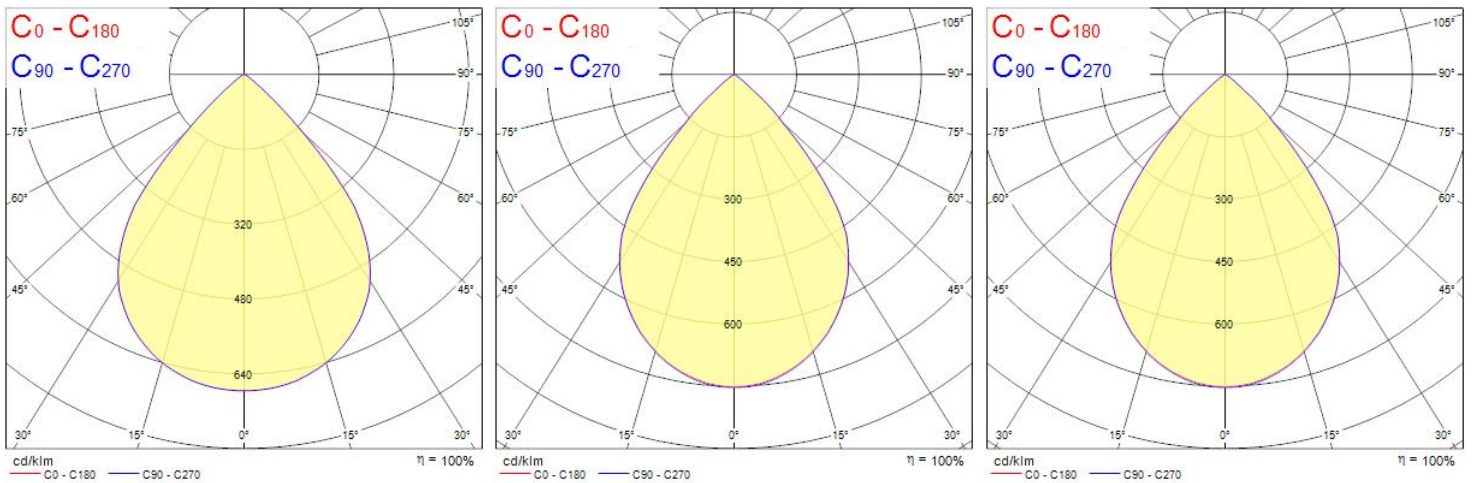
Product Overview

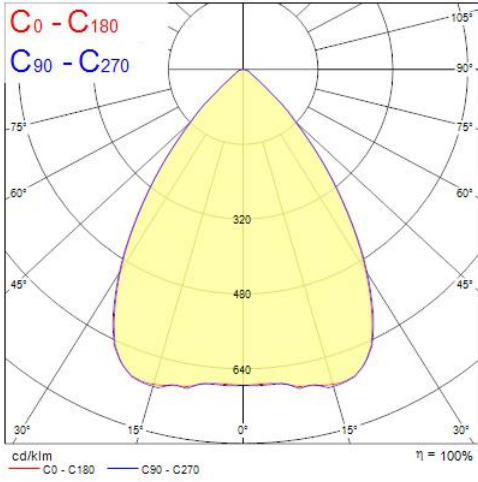
Product name	Granit IP65 0-10V 19000lm 865 WB
Technology	LED
Housing	Aluminium
Mount	Suspended
Fixture rating	Enclosed
General application	Logistics & Industry
ETIM Class	EC001716
E-number FI	4357009
Fixture luminous flux (lm)	19100
Luminaire efficacy (lm/W)	141
Correlated colour temperature (k)	6500
Light colour	Cool White
CRI (Ra)	80
Colour Variation Initial (SDCM)	3
Beam Angle (°)	85
Glare control	< 25

Granit IP65 0-10V 19000lm 865 WB 0039599

Photobiological Risk Group	RG1
Total power consumption (W)	135
Electrical protection	Class I
Control gear type	LED driver constant current
Dimmable	Yes
LED Flickering Rate	Ultra low (5% or less)
Housing colour	Black
IP rating	IP65
IK rating	IK08
Product EAN number	5410288395999
Warranty	5 years
Dimming method	0-10V

Photometry





Distance [m]	Cone diameter [m]	E(0°) E(C90) E(C0)	52166 40.7° 11387
0.5	0.86	E(0°) E(C90) E(C0)	13042 40.7° 3847
1.0	1.72	E(0°) E(C90) E(C0)	5796 40.7° 1265
1.5	2.58	E(0°) E(C90) E(C0)	3280 40.7° 712
2.0	3.44	E(0°) E(C90) E(C0)	2087 40.7° 456
2.5	4.30	E(0°) E(C90) E(C0)	1449 40.7° 316
3.0	5.16	E(0°) E(C90) E(C0)	

Distance [m] Cone diameter [m] Illuminance [lx]
— C0 - C180 (Half beam angle: 81.4°)

Distance [m]	Cone diameter [m]	E(0°) E(C90) E(C0)	55179 38.6° 13223 3306 13331
0.5	0.80 0.80	E(0°) E(C90) E(C0)	15795 38.6° 3333
1.0	1.60 1.59	E(0°) E(C90) E(C0)	6131 38.6° 1469
1.5	2.39 2.39	E(0°) E(C90) E(C0)	3449 38.6° 833
2.0	3.19 3.18	E(0°) E(C90) E(C0)	2207 38.6° 523
2.5	3.99 3.98	E(0°) E(C90) E(C0)	1533 38.6° 367
3.0	4.79 4.77	E(0°) E(C90) E(C0)	1137 38.6° 270

Distance [m] Cone diameter [m] Illuminance [lx]
— C0 - C180 (Half beam angle: 77.0°)
— C90 - C270 (Half beam angle: 77.2°)

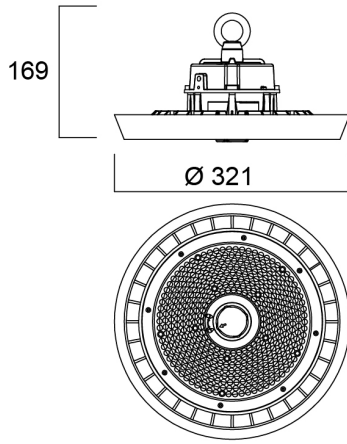
Distance [m]	Cone diameter [m]	E(0°) E(C90) E(C0)	55058 38.6° 13194 13302
0.5	0.80 0.80	E(0°) E(C90) E(C0)	13765 38.6° 3298 3326
1.0	1.60 1.59	E(0°) E(C90) E(C0)	6118 38.6° 1469 1478
1.5	2.39 2.39	E(0°) E(C90) E(C0)	3441 38.6° 825 831
2.0	3.19 3.18	E(0°) E(C90) E(C0)	2202 38.6° 523 532
2.5	3.99 3.98	E(0°) E(C90) E(C0)	1529 38.6° 366 370
3.0	4.79 4.77	E(0°) E(C90) E(C0)	

Distance [m] Cone diameter [m] Illuminance [lx]
— C0 - C180 (Half beam angle: 77.0°)
— C90 - C270 (Half beam angle: 77.2°)

Distance [m]	Cone diameter [m]	E(0°) E(C90) E(C0)	49699 37.1° 13196 13191
0.5	0.76 0.75	E(0°) E(C90) E(C0)	12422 37.1° 3299 3298
1.0	1.51 1.51	E(0°) E(C90) E(C0)	5621 37.1° 1469 1466
1.5	2.27 2.26	E(0°) E(C90) E(C0)	3106 37.1° 825 824
2.0	3.03 3.01	E(0°) E(C90) E(C0)	1968 37.1° 523 528
2.5	3.78 3.77	E(0°) E(C90) E(C0)	1350 37.1° 367 366
3.0	4.54 4.52	E(0°) E(C90) E(C0)	

Distance [m] Cone diameter [m] Illuminance [lx]
— C0 - C180 (Half beam angle: 74.0°)
— C90 - C270 (Half beam angle: 74.2°)

Technical drawings



Data table

GENERAL DATA

Product name	Granit IP65 0-10V 19000lm 865 WB
Technology	LED
Housing	Aluminium
Mount	Suspended
Fixture rating	Enclosed
General application	Logistics & Industry
Operating temperature range (°C)	-30°C...+50°C
Performance ambient temperature Tq (°C)	25
ETIM Class	EC001716
E-number FI	4357009
Warranty	5 years

OPTICAL DATA

Fixture luminous flux (lm)	19100
Luminaire efficacy (lm/W)	141

Granit IP65 0-10V 19000lm 865 WB 0039599

Correlated colour temperature (k)	6500
Light colour	Cool White
CRI (Ra)	80
Colour Variation Initial (SDCM)	3
Beam Angle (°)	85
Glare control	< 25
Photobiological Risk Group	RG1

ELECTRICAL DATA

Total power consumption (W)	135
Primary Supply/Product voltage - min (V)	220
Primary Supply/Product voltage - max (V)	240
Lamp power factor	1
THD (at 230 V, 50 Hz, full load, at 100% dimming level) ≤ xx.x %	10
Electrical protection	Class I
Control gear required	No
Control gear type	LED driver constant current
Dimmable	Yes
Dimming method	0-10V
Drive current (mA)	540
Inrush Current (A)	82.7
Inrush Duration (µs)	620
Energy Efficiency Class (A->G) of contained light source	E
Nominal Frequency (Hz)	50/60Hz
LED Flickering Rate	Ultra low (5% or less)
Max. products per 10A C Breaker	4
Max. products per 13A C Breaker	5
Max. products per 16A C Breaker	7
Max. products per 20A C Breaker	9
Max. products per 10A B Breaker	2
Max. products per 13A B Breaker	3
Max. products per 16A B Breaker	4
Max. products per 20A B Breaker	5

LIFETIME DATA

Lifespan L80 B50	90000
Lifespan L80 B20	70000
Lifespan L80 B10	65000
Lifespan L90 B50	45000

PHYSICAL DATA

Housing colour	Black
IP rating	IP65
IK rating	IK08
Diffuser finish	Transparent
Diffuser material	PC Polycarbonate
Nominal Product Height (mm)	169
Nominal Product Diameter (mm)	321
Weight (kg)	3.46

PACKAGING

Product EAN number	5410288395999
Packaging single length / height (cm)	38.0
Packaging single width (cm)	38.0
Packaging single depth (cm)	18.5
DUN14 (inner)	05410288395999
Units per outer package	1
Packaging outer length / height (cm)	38.0
Packaging outer width (cm)	38.0
Packaging outer depth (cm)	18.5

SAFETY DATA

Glow Wire Test (°C)	850
Optimal operating condition (°C)	-30-50
Special purpose lamp	No
Dry applications use only	No
Suitable for household illumination	No

SYLVANIA

Granit IP65 0-10V 19000lm 865 WB

0039599

Light your world