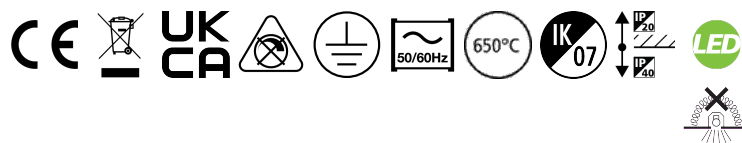


Concord

COLOSSAL 600mm 940 OPAL DIR+HAL WHITE
2071221



Features

- 600mm diameter circular architectural luminaire, can be surface mounted or suspended. Powder coated aluminium housing (RAL9016) with polycarbonate opal diffuser. Direct/indirect (halo) light distribution, 4635lm luminous flux, 40.6W system power, 114lm/W luminaire efficacy. Constant current driver. Colour rendering index Ra >90, 4000K Neutral White LED, chromaticity tolerance of 3-step MacAdam ellipse. IP40, IK03. 450mA drive current. Electrical protection Class1, 220-240V. Reported lifetime 66k hours L90B10.

Product Overview

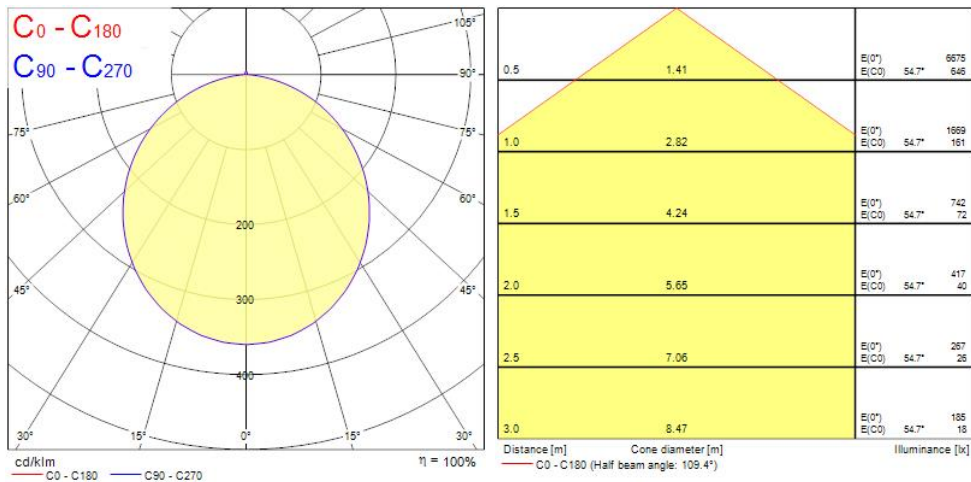
Product name	COLOSSAL 600mm 940 OPAL DIR+HAL WHITE
Technology	LED (3 SDCM)
Cap/Base	N/A
Housing	Aluminium
Mount	Suspended
General application	Hospitality, Office
ETIM Class	EC002892
Fixture luminous flux (lm)	4635
Luminaire efficacy (lm/W)	114
Correlated colour temperature (k)	4000
Light colour	Neutral White
CRI (Ra)	90
Colour Variation Initial (SDCM)	3
Glare control	< 22
Photobiological Risk Group	RG0
Total power consumption (W)	40.6
Electrical protection	Class I
Control gear type	LED driver constant current

Concord

COLOSSAL 600mm 940 OPAL DIR+HAL WHITE 2071221

Dimmable	No
LED Flickering Rate	Ultra low (5% or less)
Housing colour	RAL9016
IP rating	IP40/20
IK rating	IK07
Product EAN number	5025768712212
Warranty	5 years
Dimming method	N/A
Colour Code	940

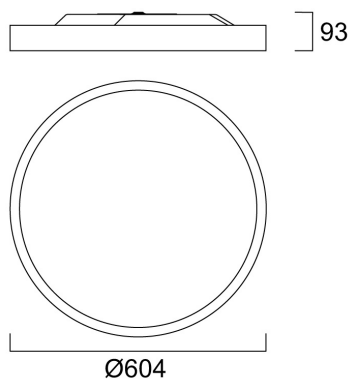
Photometry



Concord

COLOSSAL 600mm 940 OPAL DIR+HAL WHITE
2071221

Technical drawings



Data table

GENERAL DATA

Product name	COLOSSAL 600mm 940 OPAL DIR+HAL WHITE
Technology	LED (3 SDCM)
Cap/Base	N/A
Housing	Aluminium
Mount	Suspended
General application	Hospitality, Office
Operating temperature range (°C)	10°C...+25°C
ETIM Class	EC002892
Warranty	5 years

OPTICAL DATA

Fixture luminous flux (lm)	4635
Luminaire efficacy (lm/W)	114
Correlated colour temperature (k)	4000
Colour Code	940
Light colour	Neutral White

Concord

COLOSSAL 600mm 940 OPAL DIR+HAL WHITE 2071221

CRI (Ra)	90
Colour Variation Initial (SDCM)	3
Distribution type	Symmetric
Glare control	< 22
Photobiological Risk Group	RG0

ELECTRICAL DATA

Total power consumption (W)	40.6
Primary Supply/Product voltage - min (V)	220
Primary Supply/Product voltage - max (V)	240
Lamp power factor	0.95
THD (at 230 V, 50 Hz, full load, at 100% dimming level) \leq xx.x %	20
Electrical protection	Class I
Control gear required	No
Control gear type	LED driver constant current
Dimmable	No
Dimming method	N/A
Drive current (mA)	450
Inrush Current (A)	15
Inrush Duration (μ s)	250
Energy Efficiency Class (A->G) of contained light source	C
Nominal Frequency (Hz)	50/60Hz
LED Flickering Rate	Ultra low (5% or less)
Max. products per 10A C Breaker	40
Max. products per 13A C Breaker	51
Max. products per 16A C Breaker	63
Max. products per 20A C Breaker	80
Max. products per 10A B Breaker	24
Max. products per 13A B Breaker	31
Max. products per 16A B Breaker	38
Max. products per 20A B Breaker	48
Connectable conductor cross section - Max (mm ²)	2.5

Concord

COLOSSAL 600mm 940 OPAL DIR+HAL WHITE 2071221

LIFETIME DATA

Lifespan L70 B50	170000
Lifespan L80 B20	145000
Lifespan L90 B10	66000

PHYSICAL DATA

Housing colour	RAL9016
IP rating	IP40/20
IK rating	IK07
Diffuser finish	Opal
Diffuser material	PC Polycarbonate
Nominal Product Height (mm)	93
Nominal Product Diameter (mm)	604
Weight (kg)	9.0

PACKAGING

Product EAN number	5025768712212
Packaging single length / height (cm)	14.0
Packaging single width (cm)	68.0
Packaging single depth (cm)	68.0
DUN14 (inner)	05025768712212
Units per outer package	1
Packaging outer length / height (cm)	14.0
Packaging outer width (cm)	68.0
Packaging outer depth (cm)	68.0

SAFETY DATA

Glow Wire Test (°C)	650
Optimal operating condition (°C)	10-25
Special purpose lamp	No
Dry applications use only	No
Suitable for household illumination	No

Concord

COLOSSAL 600mm 940 OPAL DIR+HAL WHITE

2071221
