



NatureConnect mini island

NatureConnect mini island replicates a view of the sky. It consists of a “Sky & Sun” part that creates the decorative function of an artificial skylight and a “Daylight” part that creates the functional light. In combination with the NatureConnect link it mimics daylight by simulating the sun’s daily patterns, using light recipes that boost energy levels and help indoor spaces feel in sync with nature.

Operating and electrical

Input voltage	220-240 V
Input frequency	50 to 60 Hz
Input current	0.7 A
Inrush current	50.0 A
Inrush time	330 us
Products per MCB (type B 16A)	10
Power factor (min)	0.9
Surge Protection	1 kV DM and 2 kV CM

Controls and User Interface

Lighting control	Compatible with NatureConnect link/ Scene set
Number of DALI addresses	6

Mechanical and housing

Dimensions (LxWxH)	1195 x 1195 x 150 mm
Housing material	Steel
Housing color	White RAL9003 or Dark grey RAL7043
Optical cover/lens type	Polystyrene and Polycarbonate
Optical cover/lens finish	Opal
Net weight product	30 kg
Suspension accessories	4 pcs (cable length 5 m)

General information

Light source	Led modules for sky, sun and daylight
Light source colour	Tunable white for daylight and sun; blue for sky
Power-on default power	90 W
Maximum electrical power	120 W (on Energize mode)
Power-on default flux	9 200 lm
Maximum luminous flux	12 000 lm (on Energize mode)
Efficacy (power on default)	100 lm/W
Luminaire beam angle	100°
Lifetime	50 khrs B50L90 100 khrs B50L80
Driver included	Yes
Driver/power unit/transformer	PSD (Power supply unit with DALI interface)
Control interface	DALI
Connector	Wieland GST18i5 male
Protection class IEC	Safety class I
Ambient temperature range	+10 to +35 °C
Performance ambient temp. Tq	25 °C
Storage temperature	-40 to +60 °C
Ingress protection code	IP44 (bottom), IP20 (top)
Mech. impact protection code	IK02
Glow-wire test	650 °C
Warranty period	5 years
CE mark	Yes
ENEC mark	Yes

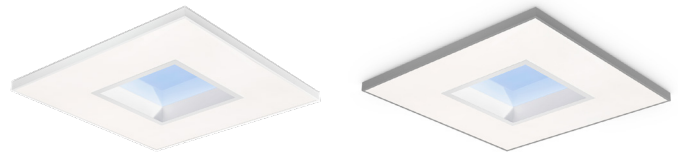
NatureConnect mini island

	Sky and Sun	Daylight
Light source colour	Tunable white&blue	Tunable white
Light output	4500 lm	10800 lm
Efficacy	80 lm/W	115 lm/W
UGR	n.a.	19
CCT	2700 K to Blue	2700 K to 6500 K
MDER*	up to 6.5	up to 0.9
Colour point SDCM	3	3
CRI	90	90
R9	> 50	> 50

MDER - melanopic daylight efficacy ratio is the spectrum of light determined by the ratio between MEDI - melanopic equivalent daylight illuminance (lux) and intensity (lux). This parameter indicates how efficient the luminaire is in achieving the health and wellbeing effect of daylight.

Product data

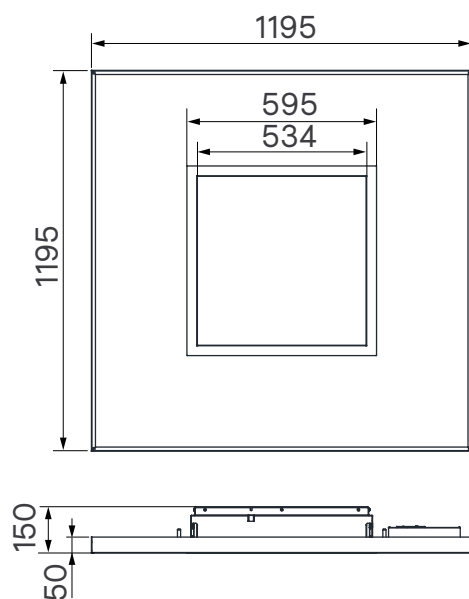
910505103473	LP911P NC2 SKYLIGHT A W120L120 WHT
910505103544	LLP911P NC2 SKYLIGHT A W120L120 GRY



Control system data

910505103996	NatureConnect scene set	LP912P NC SCENE & OCC SET V1	for Interact Pro
910505103474	NatureConnect link	LP912P NC2 CONTENT GENERATOR	for 0-10 V, Interact PRE, DALI

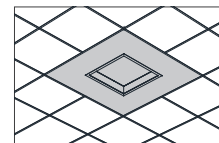
Dimensional drawing



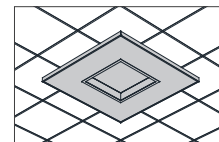
Dimensions in mm

Installation options

Suspended recessed



Suspended surface mounted



Suspended in open ceiling

