

Signify
NatureConnect

NatureConnect
daylight W60L60 driver

LP903 NC Daylight W60L60 PSD-driver



1x

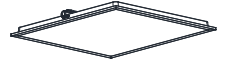


4x



3X6

Daylight W60L60 (not included)



220V
240V


50Hz
60Hz

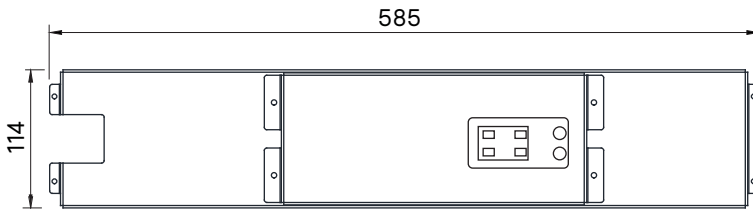


IP20

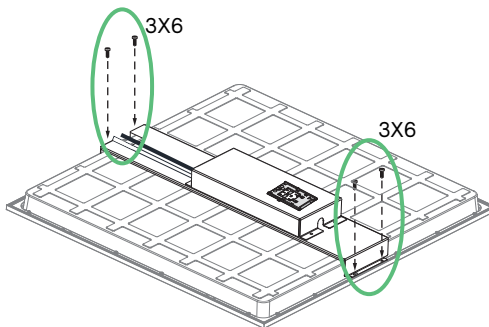
IK02



	Power	Current	Voltage	
Daylight W60L60 driver Standalone	33 W	max. 2x 0.37 A	max. 60 V	1.5 kg

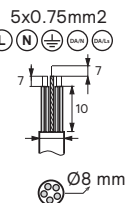
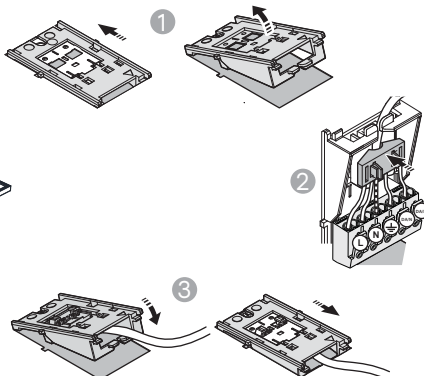
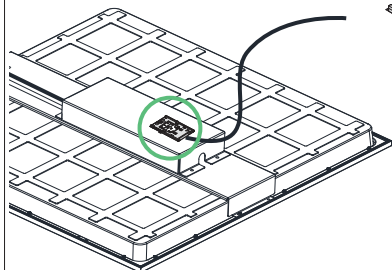
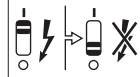


Fix driver gear tray to the Daylight W60L60

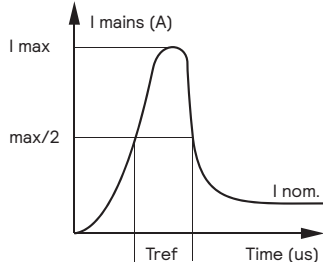




Connection to mains



Inrush current



Electrical characteristics

I_{max} (A)	8
T_{ref} (Us)	175
MCB	Max n. of lumin.
B-10 A	48
B-16 A	77
C-10 A	50
C-16 A	80



- The driver shall be installed by a qualified electrician and wired in accordance with the latest IEE electrical regulations or the national requirements.
- If the external flexible cable or cord of this luminaire is damaged, it shall be exclusively replaced by the manufacturer, his service agent or similar qualified person in order to avoid hazard.
- The product is IPX0 & as such is not protected against water ingress & as such we strongly recommend that the environment in which the luminaire is to be installed is suitably checked.
- If the above advice is not taken and the luminaires are subject to water ingress, Signify cannot guarantee safe failure & product warranty will become void.

© 2025 Signify Holding.

All rights reserved. The information provided herein is subject to change, without notice. Signify does not give any representation or warranty as to the accuracy or completeness of the information included herein and shall not be liable for any action in reliance thereon. The information presented in this document is not intended as any commercial offer and does not form part of any quotation or contract, unless otherwise agreed by Signify.

All trademarks are owned by Signify Holding or their respective owners.