

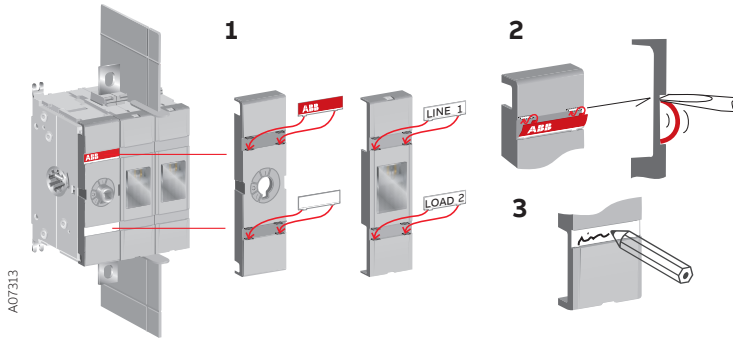
—
INSTALLATION INSTRUCTION

DC Switch-Disconnectors

OTDC100-250



Labels

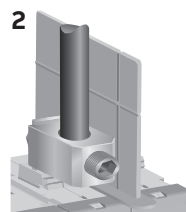
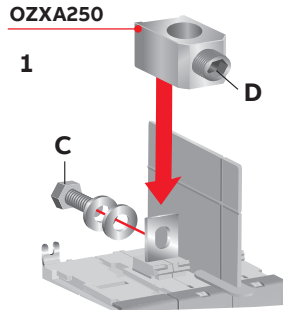
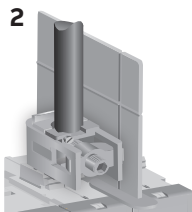
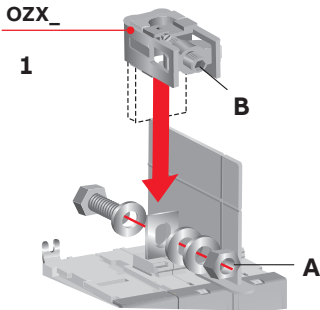


Terminal clamps OZX_

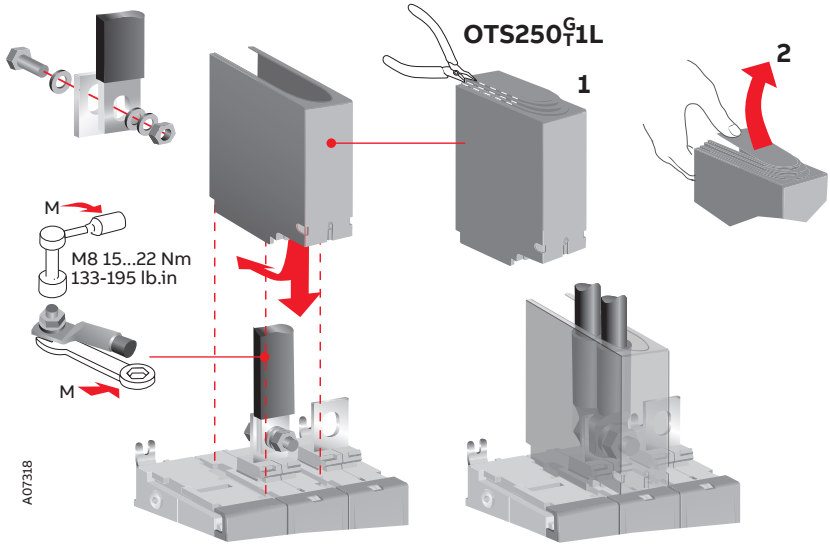
Note: Always use counter torque when tightening terminals!

OTDC100...250E	
A	B
OZXB1L 15...22 Nm (M8)	15 Nm
OZXB2 —	30 Nm
OZXB2L 15...22 Nm (M8)	30 Nm

OTDC100...245U	
C	D
OZXA200 72 lb.in	200 lb.in
OZXA250 175 lb.in	275 lb.in

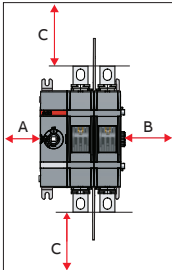


Busbars and cable lugs OTS_



Clearances per UL98

Minimum distances to enclosure walls



Minimum enclosure size or equivalent volume

For types OTDC100-245U02, 20, 11:

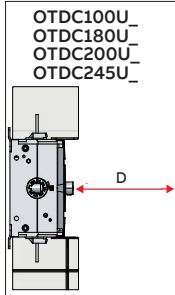
Height	Width	Depth
300 mm	x 350 mm	x 200 mm
12 in	x 14 in	x 8 in

For types OTDC100-245U22, 33, US_, UV_, USV_*:

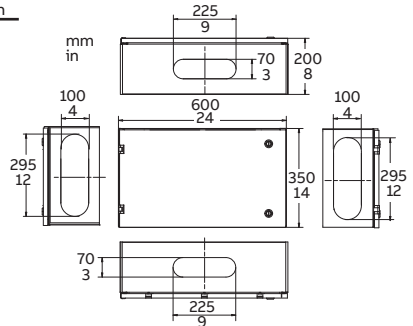
Height	Width	Depth
350 mm	x 600 mm	x 200 mm
14 in	x 24 in	x 8 in

A	B	D
0	13 mm 0.5 in	13 mm 0.5 in

C Cable size	
AWG	
4-3	100 mm 4 in
2	100 mm 4 in
1	100 mm 4 in
1/0	125 mm 5 in
2/0	150 mm 6 in
3/0-4/0	175 mm 7 in
MCM	
250	200 mm 8 in
300	250 mm 10 in
400	250 mm 10 in

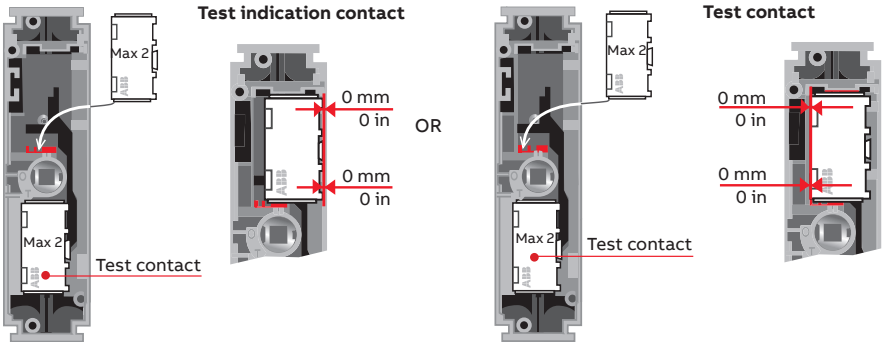
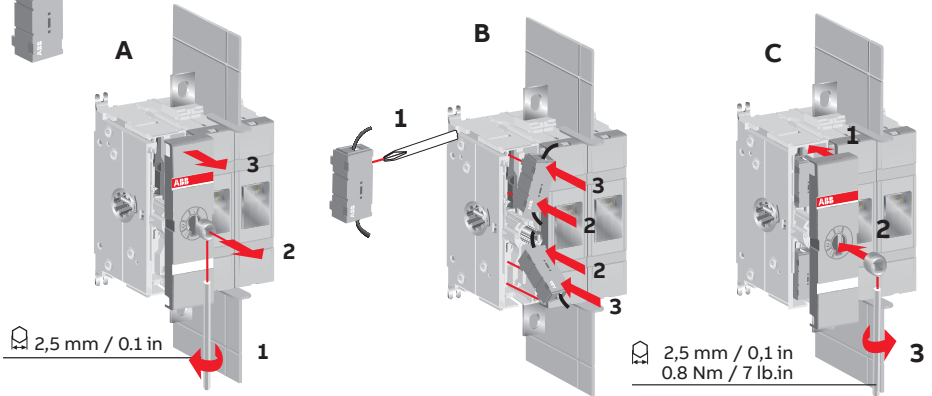


*) The Enclosure for type OTDC245US02 and OTDC245US11 has to be naturally ventilated according the following picture:

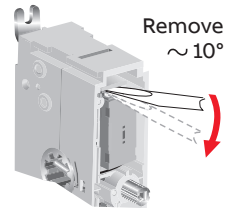
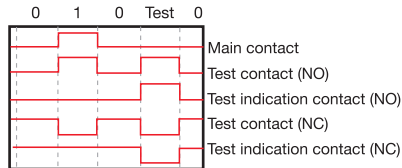


Auxiliary contacts OA_

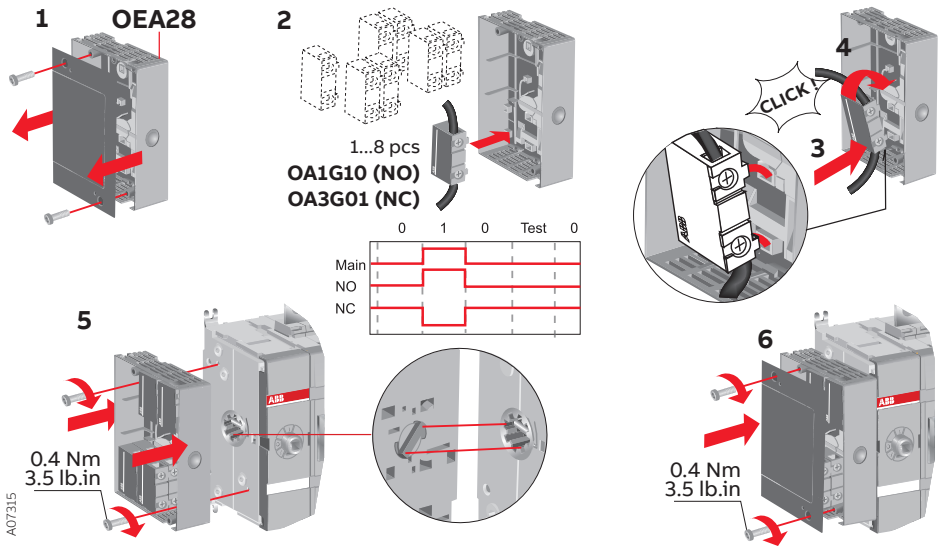
OA_



NO: OA1G10
NC: OA3G01

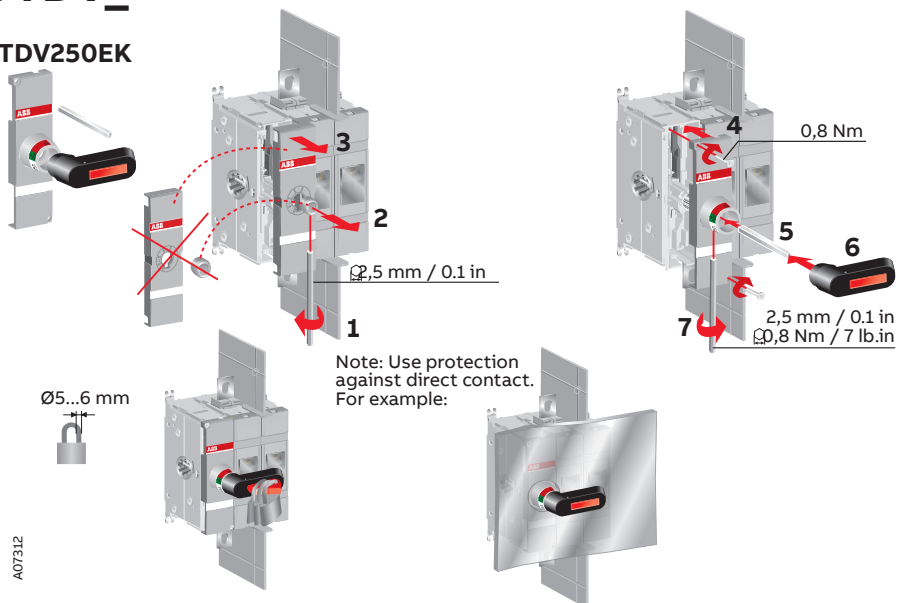


Module for aux contacts OEA_



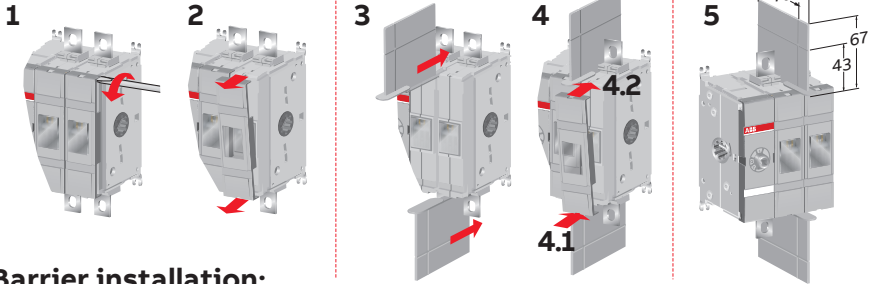
OTDV_

OTDV250EK



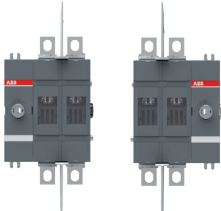
Barriers OTDCB_

Barriers must be used between poles on types OTDC100/160/180/200/245U_ and OTDC100/200/250E_. Type for package of 2 barriers is OTDCB250/2.

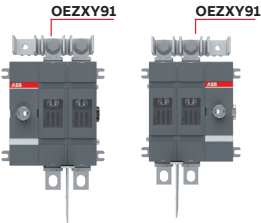


Barrier installation:

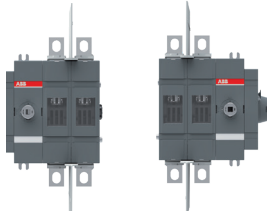
OTDC_U02 **OTDC_U20**
OTDC_E02 **OTDC_E20**
Circuits: 2a, 2b Circuits: 2a, 2b



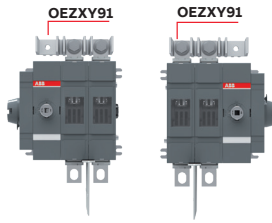
OTDC_US02 **OTDC_US20**
Circuit: 1a Circuit: 1a



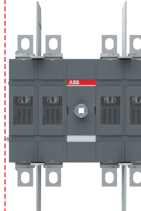
OTDC_U02S **OTDC_U20S**
OTDC_E02S **OTDC_E20S**
Circuits: 2a, 2b Circuits: 2a, 2b



OTDC_US02S **OTDC_US20S**
Circuit: 1a Circuit: 1a

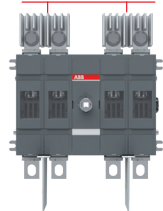


OTDC_U22 **OTDC_E22**
Circuits: 4a, 4c

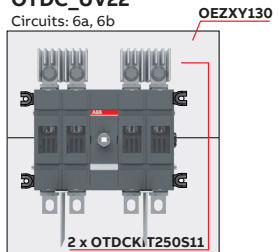


OTDC_US22
Circuits: 3

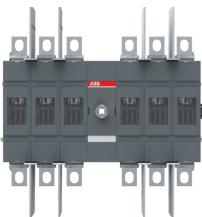
2 x **OTDCKIT250S11**



OTDC_EV22 **OTDC_UV22**
Circuits: 6a, 6b

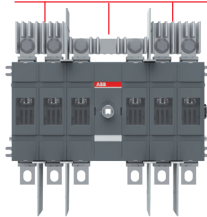


OTDC_E33 **OTDC_U33**
Circuits: 7a, 7e



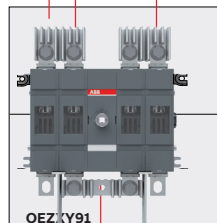
OTDC_US33
Circuit: 7i

2 x **OTDCKIT250S11** + 1 x **OEZXY91**



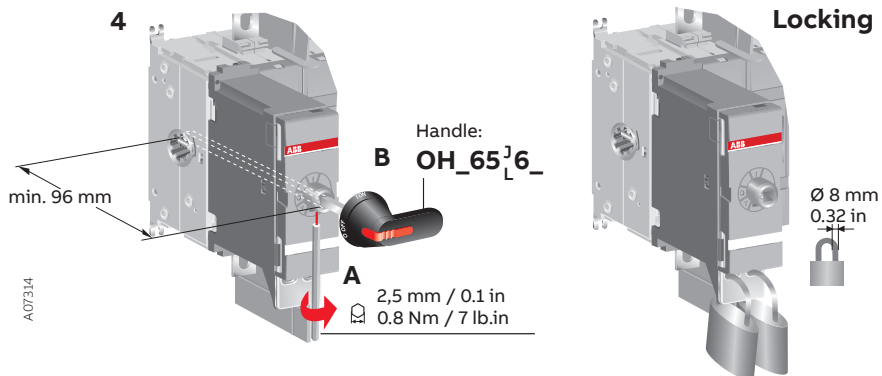
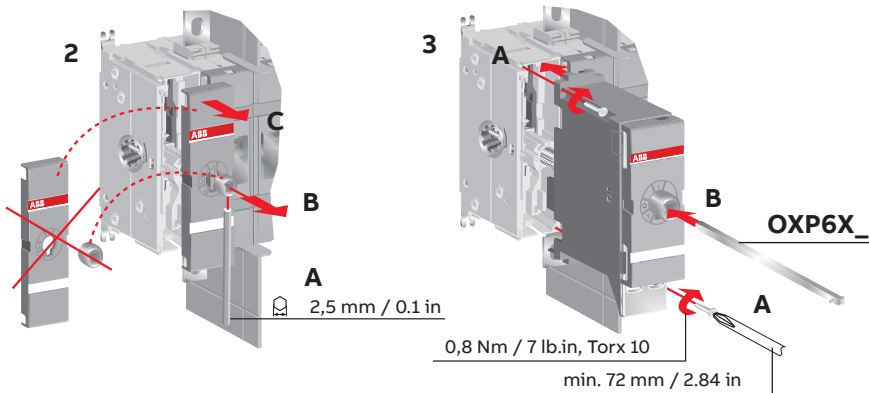
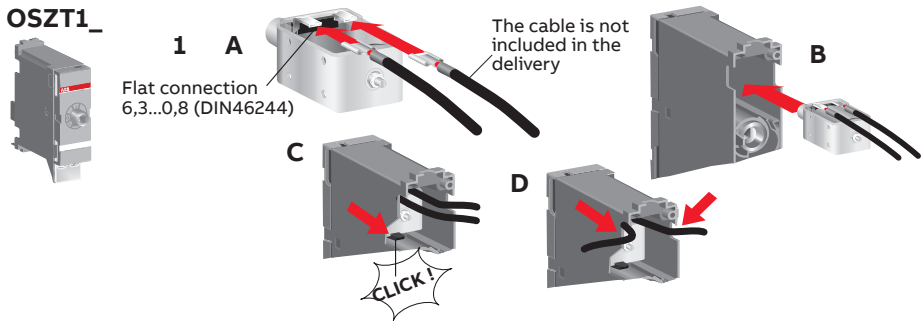
OTDC_USV22
Circuit: 6m

OEZXY130 2 x **OTDCKIT250S11**



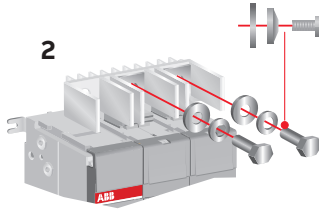
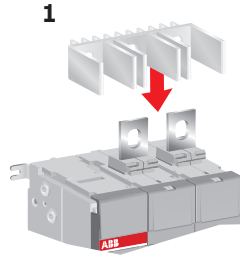
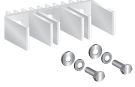
OSZT_

OSZT1_

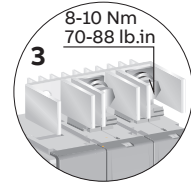
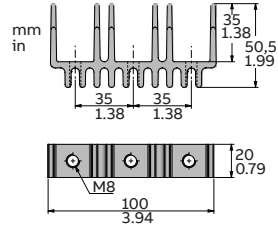


OTDCB_

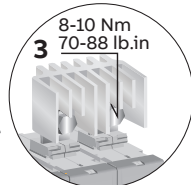
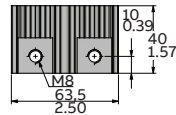
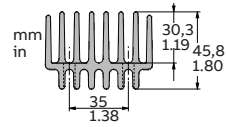
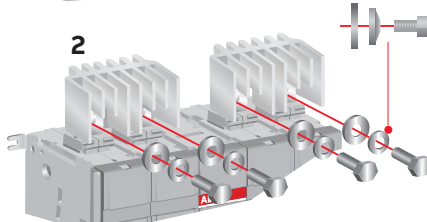
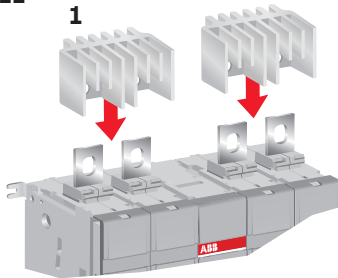
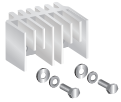
OEZXY91



Protection plate OEZXY130 must be used on types OTDC_USV22, OTDC_EV22 and OTDC_UV22 according to the circuit drawings below. Protection plates are included as standard if use required.



OTDCKIT250S11



Circuits

Circuits 2a, 2b
1000 VDC
OTDC_E11



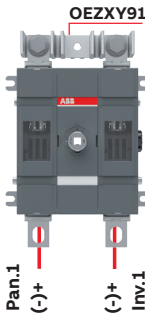
Circuits 2a, 2b
1000 VDC
OTDC_U02
OTDC_E02



Circuits 2a, 2b
1000 VDC
OTDC_U20
OTDC_E20



Circuit 1a
1000 VDC
OTDC_US11



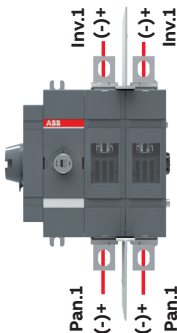
Circuit 1a
1000 VDC
OTDC_US02



Circuit 1a
1000 VDC
OTDC_US20



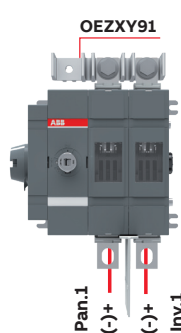
Circuits 2a, 2b
1000 VDC
OTDC_U02S
OTDC_E02S



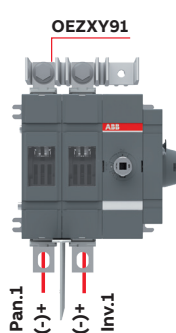
Circuits 2a, 2b
1000 VDC
OTDC_U20S
OTDC_E20S



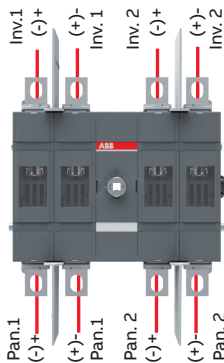
Circuit 1a
1000 VDC
OTDC_US02S



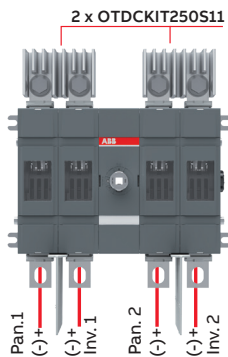
Circuit 1a
1000 VDC
OTDC_US20S



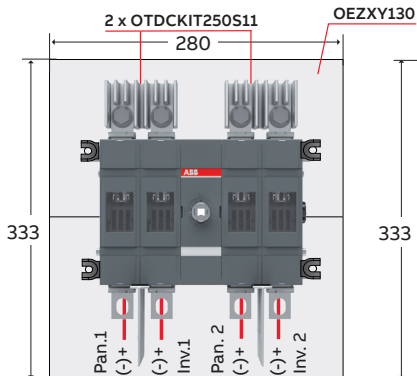
Circuits 4a, 4c
1000 VDC
OTDC_U22, OTDC_E22



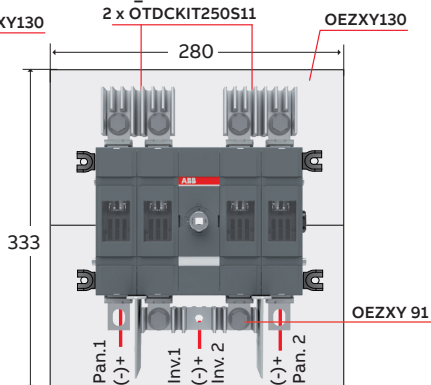
Circuit 3
1000 VDC
OTDC_US22



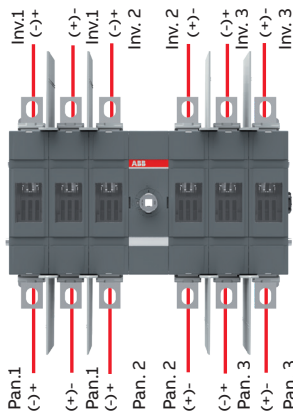
Circuits 6a, 6b
1500 VDC
OTDC_EV22, OTDC_UV22



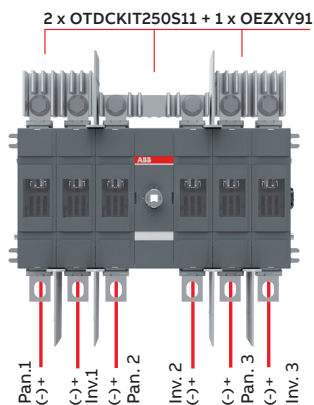
Circuit 6m
1500 VDC
OTDC_USV22



Circuits 7a, 7e
1000 VDC
OTDC_E33, OTDC_U33



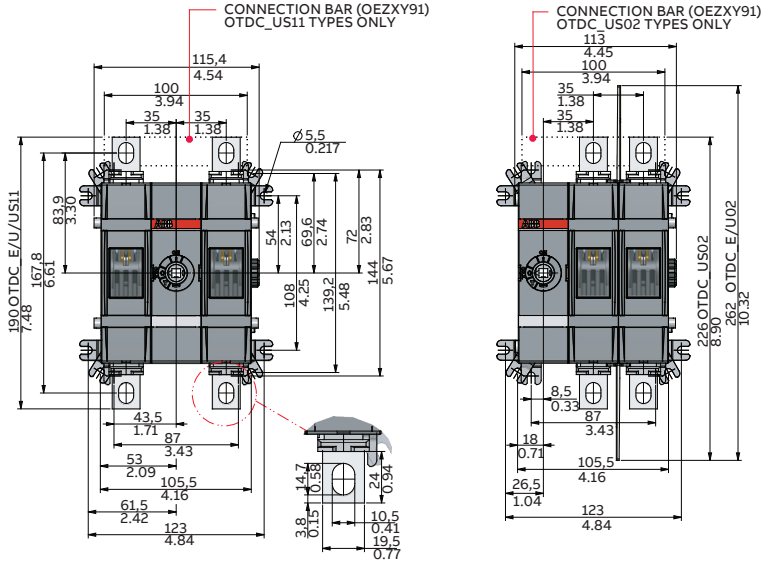
Circuit 7i
1000 VDC
OTDC_US33



Dimension drawings

OTDC100...250E11, OTDC100...245U11, OTDC100...245US11

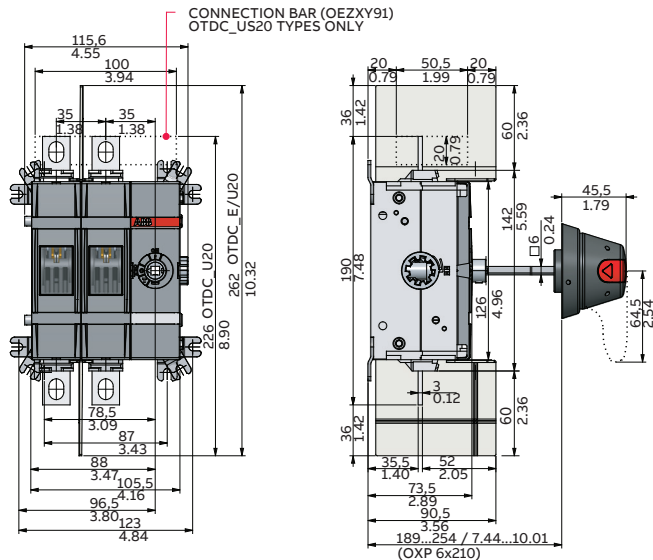
mm
in



M00497A / OTDC100-250E/U/US11/02/20

OTDC100...250E20, OTDC100...245U20, OTDC100...245US20

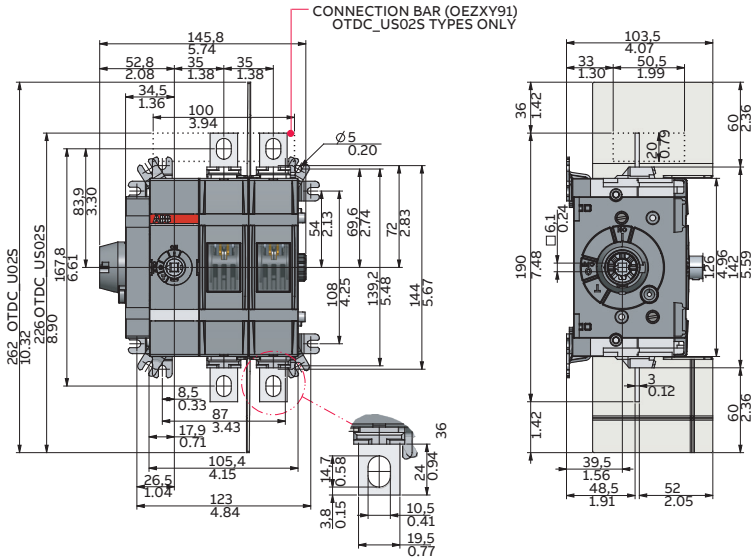
mm
in



M00497B / OTDC100-250E/U/US11/02/20

OTDC100...245U02S, OTDC100...245US02S

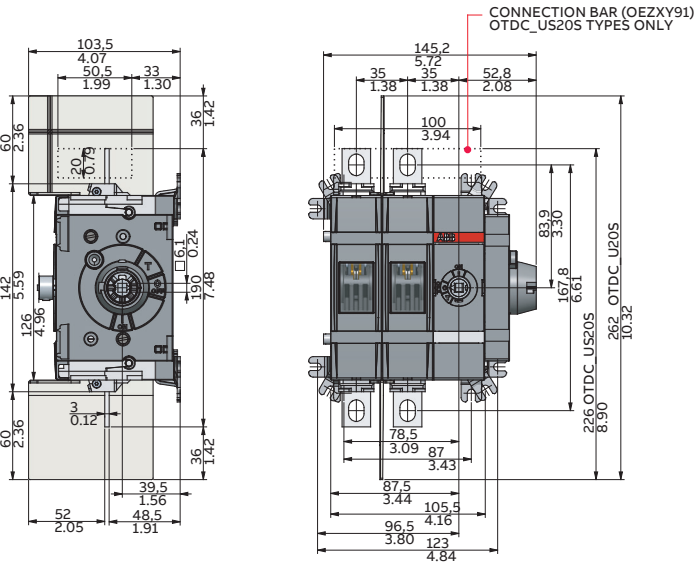
mm
in



M00499A / OTDC100-245U/US02/20S

OTDC100...245U20S, OTDC100...245US20S

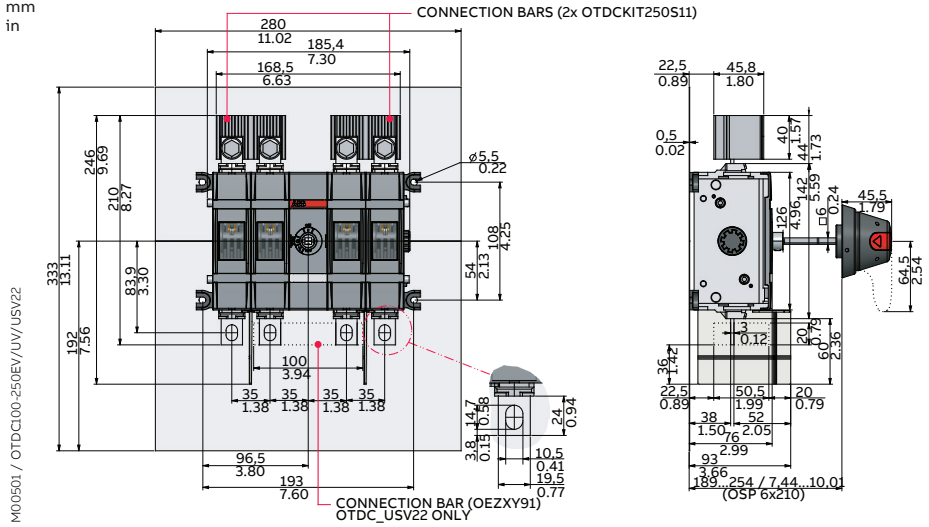
mm
in



M00499B / OTDC100-245U/US02/20S

OTDC100...200EV22, OTDC100...200UV22, OTDC100...200USV22

mm
in



Contact us

ABB Oy

Muottitie 2A, 65320

Vaasa, Finland

abb.com/lowvoltage



BG	Внимание! Опасно напрежение! Да се монтира само от лице с електротехническа квалификация.
CN	警告！电压危险！只能由专业电工进行安装。
CZ	Varování! Nebezpečné napětí! Montáž smí provádět výhradně elektrotechnik!
DA	Advarsel! Farlig elektrisk spænding! Installation må kun foretages af personer med elektroteknisk ekspertise.
DE	Warnung! Gefährliche Spannung! Installation nur durch elektrotechnische Fachkraft.
EL	Προειδοποίηση! Υψηλή τάση! Η εγκατάσταση πρέπει να γίνεται μόνο από εξειδικευμένους ηλεκτροτεχνικούς.
EN	Warning! Hazardous voltage! Installation by person with electrotechnical expertise only.
ES	¡Advertencia! ¡Tensión peligrosa! La instalación deberá ser realizada únicamente por electricistas especializados.
ET	Hoiatus! Ohtlik pinge. Paigaldada võib ainult elektrotehnika-alane ekspert.
FI	Varoitus! Vaarallinen jännite! Asennuksen voi tehdä vain sähköalan ammattihenkilö.
FR	Avertissement! Tension électrique dangereuse! Installation uniquement par des personnes qualifiées en électrotechnique.
HR	Upozorenje! Opasan napon! Postavljati smije samo elektrotehnički stručnjak.
HU	Figyelmeztetés! Veszélyes feszültség! Csak elektrotechnikai tapasztalattal rendelkező szakember helyezheti üzembe.
IE	Rabhadh! Voltas guaiseach! Ba chóir do dhuine ag a bhfuil saineolas leictriteicniúil, agus an té sin ainmhin, é seo a shuiteáil.
IT	Avvertenza! Tensione pericolosa! Fare installare solo da un elettricista qualificato.
LT	Dėmesio! Pavojinga įtampa! Dirbti leidžiama tik elektrotechniko patirties turintiems asmenims.
LV	Uzmanību! Bīstami - elektrība! Montāžas darbus drīkst veikt tikai personas, kurām ir atbilstošas elektrotehniskās zināšanas.
MT	Twissija! Voltagg perikoluż! Għandu jiġi installat biss minn persuna b'kompetenza elettroteknika.
NL	Waarschuwing! Gevaarlijke spanning! Mag alleen geïnstalleerd worden door een deskundige elektrotechnicus.
NO	Advarsel! Farlig spenning! Montering skal kun utføres av kvalifiserte personer med elektrokompetanse.
PL	Ostrzeżenie! Niebezpieczne napięcie! Instalacji może dokonać wyłącznie osoba z fachową wiedzą w dziedzinie elektrotechniki.
PT	Aviso! Tensão perigosa! A instalação só deve ser realizada por um electricista especializado.
RO	Avertizare! Tensiune periculoasă! Instalarea trebuie efectuată numai de către o persoană cu experiență în electrotehnică.
RU	Осторожно! Опасное напряжение! Монтаж должен выполняться только специалистом-электриком.
SE	Varning! Farlig spänning! Installation får endast utföras av en elektriker.
SK	Varovanie! Nebezpečné napätie! Montáž môže vykonávať iba skúsený elektrotechnik.
SL	Opozorilo! Nevarna napetost! Vgradnjo lahko opravi le oseba z elektrotehničnim strokovnim znanjem.