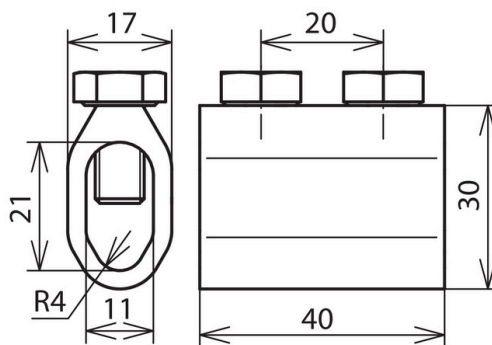


TM 8.10 8 AL (450 101)



Figure without obligation



Arrangement:

Type	TM 8.10 8 AL
Part No.	450 101
Material	Al
Clamping range Rd / Rd	8-10 / 8 mm
Screw	M8 x 16 mm
Material of screw	StSt
Lightning current carrying capability (10/350 µs)	^{*)}
Standard	EN 62561-1
Weight	44 g
Customs tariff number	85389099
GTIN	4013364094093
PU	50 Stk

^{*)}For exact classification, see test certificate.

We reserve the right to introduce changes in performance, configuration and technology, dimensions, weights and materials in the course of technical progress. The figures are shown without obligation.