

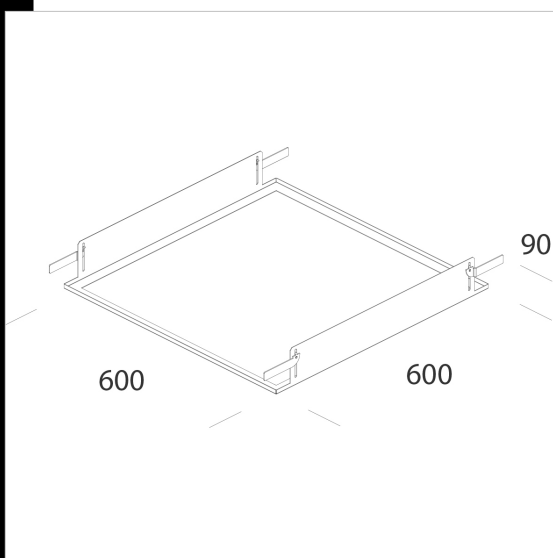
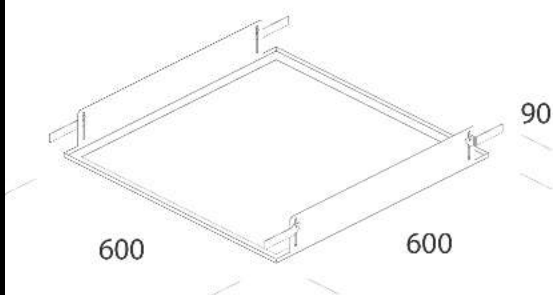
Frame - 600x600

Ideal for mounting the fixture in false ceilings with hidden structure.

Download

DXF 2D
- 22097010.dxf

Montaggi
- acc 97010-97014 rev3.pdf



Code	Kg	WTot	Colour
22097010-00	1,73	0 W	WHITE

Prodotti



- PanelTech UGR<19 - A



- Pannello B



- PanelTech High Performance -



- Eco Pannello luminoso



- PanelTech - PUSH DALI - UGR<19



- Eco Pannello luminoso - CAM



- PanelTech High Performance - UGR<19 - A2 - CAM



- PanelTech High Performance - UGR<19 - R2 - CAM



- Eco Pannello luminoso 2x2 - UGR<19



- Eco Pannello luminoso 2x2

The reported luminous flux is the flux emitted by the light source with a tolerance of $\pm 10\%$ compared to the indicated value. The W tot column indicates the total wattage absorbed by the system without exceeding 10% of the indicated