

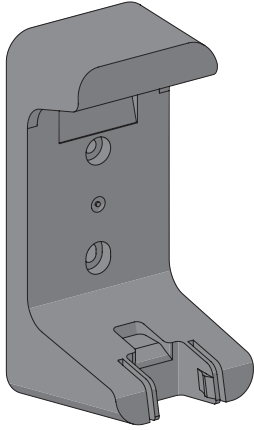


**A**

Remote Holder

www.schneider-electric.com

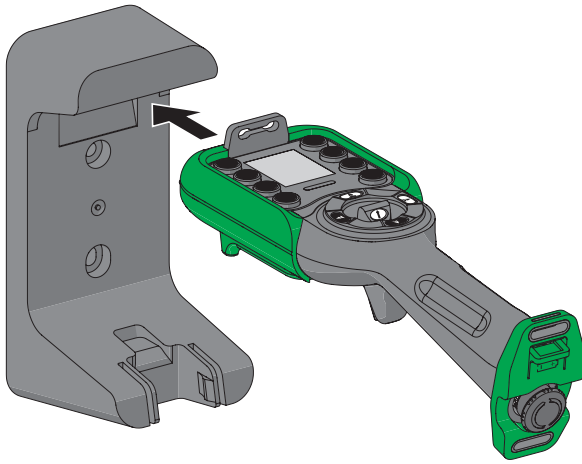
\*eXLhoist\*



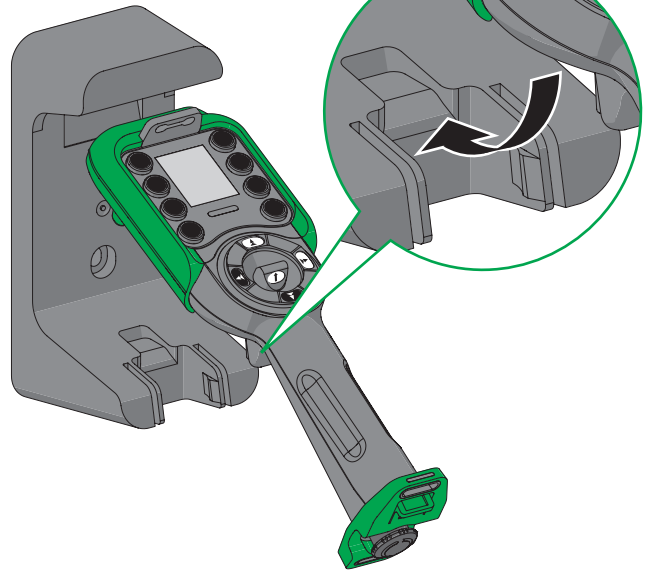
**B**

Mounting Steps

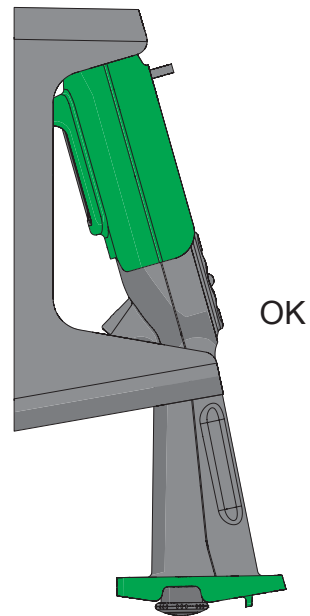
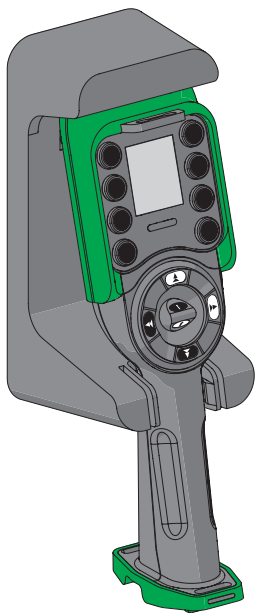
1



2



3

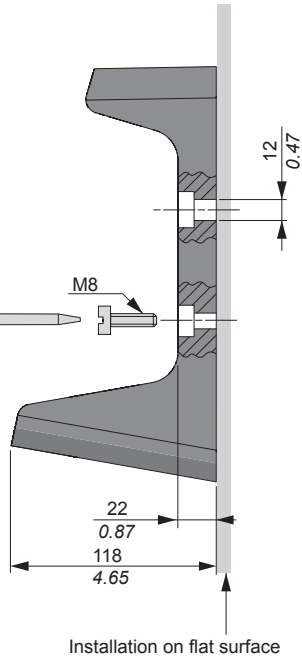
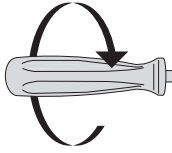




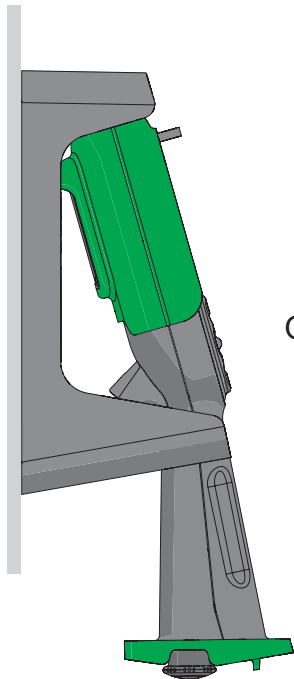
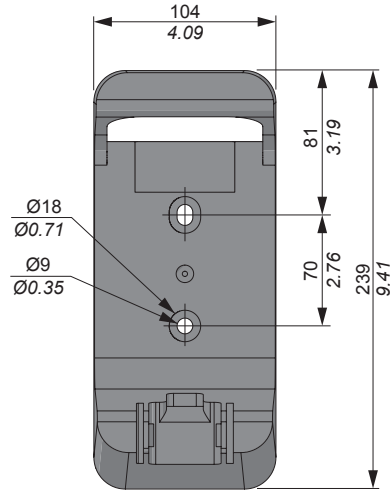
Dimensions

mm  
in.

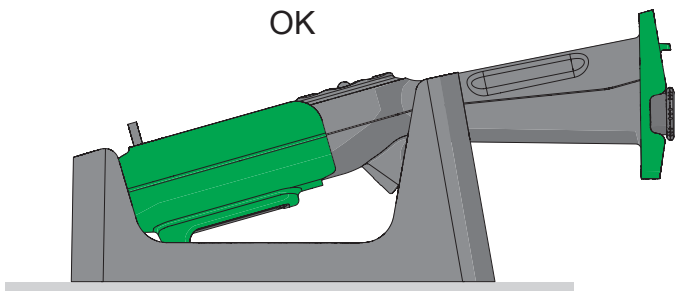
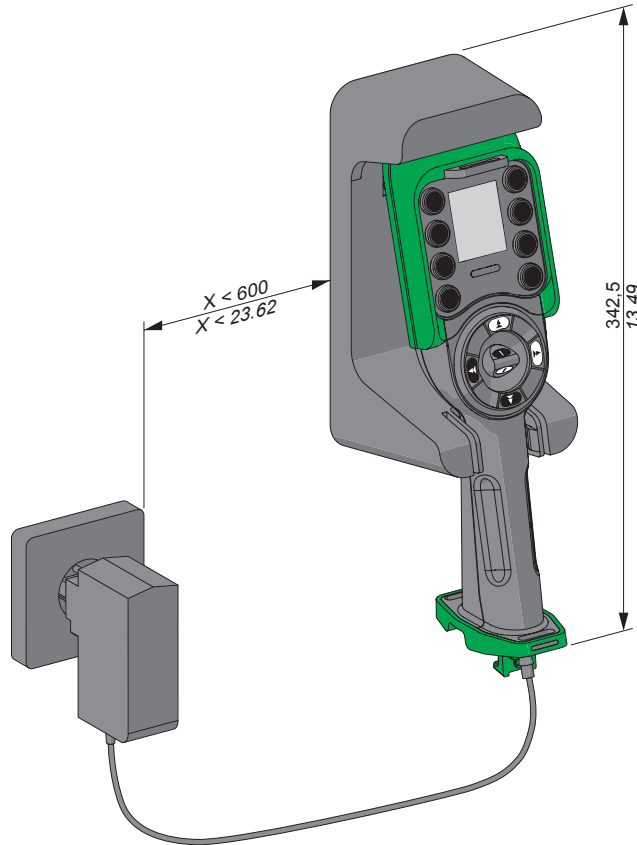
5 Nm max.  
44.25 lb-in max.



Installation on flat surface



OK



OK