



Features

- Perfect for decorative and general lighting applications and creates a warm ambience similar to traditional lamps The versatile ToLEDo Retro Candle range is the ideal replacement for halogen and incandescent lamps and perfect for chandeliers and decorative applications Same look, size and functionality as incandescent lamps Omni-directional light distribution Gives same sparkling light effect as the incandescent lamp Dimensionally identical to incandescent lamps - fits all fixtures Environment-friendly - no mercury and lower CO2 emissions Dimmable with approved dimmers

Product Overview

Product name	ToLEDo RT Candle V5 ST DIM 470LM 840 E14 SL
Technology	LED
Watt (Rated) (W)	4.5
Type	LED exchangeable
Fixture rating	Open
General application	Hospitality, Residential & Consumer
ETIM Class	EC001959
E-number FI	4740925
Luminous flux (lm)	470
Colour temperature (K)	4000
Light colour	Cool White
CRI (Ra)	80
Colour Variation Initial (SDCM)	6
Photobiological Risk Group	RG1
Wattage (W)	4.5
Product Voltage (V)	230
Dimmable	Yes
Average life (Nominal) (h)	15000

ToLEDo RT Candle V5 ST DIM 470LM 840 E14 SL 0029368

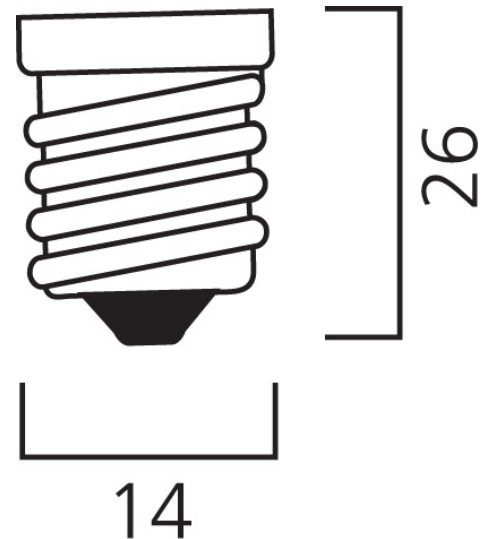
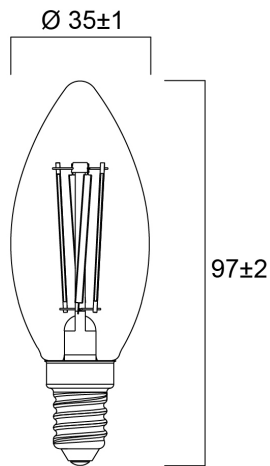
Product EAN number

5410288293684

Warranty

3 years

Technical drawings



Data table

GENERAL DATA

Product name	ToLEDo RT Candle V5 ST DIM 470LM 840 E14 SL
Technology	LED
Watt (Rated) (W)	4.5
Type	LED exchangeable
Fixture rating	Open
General application	Hospitality, Residential & Consumer
Operating temperature range (°C)	-10°C...+45°C
Performance ambient temperature Tq (°C)	25
ETIM Class	EC001959
E-number FI	4740925

ToLEDo RT Candle V5 ST DIM 470LM 840 E14 SL 0029368

Warranty	3 years
----------	---------

OPTICAL DATA

Luminous flux (lm)	470
Luminous flux (Rated) (lm)	470
Colour temperature (K)	4000
Light colour	Cool White
CRI (Ra)	80
Colour Variation Initial (SDCM)	6
Photobiological Risk Group	RG1
Lumen maintenance at end of nominal life (%)	70

ELECTRICAL DATA

Wattage (W)	4.5
Equivalent watt (W)	40
Product Voltage (V)	230
Control gear required	No
No. Of switching cycles before premature failures	>50000
Transformer required	No
Dimmable	Yes
Inrush Current (A)	1.2
Inrush Duration (μ s)	520
Lamp Energy Label (class)	F
Max. Luminaires per 16A C Breaker	133
Max. Luminaires per 16A B Breaker	66

LIFETIME DATA

Lifespan L70 B50	15000
Average life (Nominal) (h)	15000
Average life (Rated) (h)	15000

PHYSICAL DATA

ToLEDo RT Candle V5 ST DIM 470LM 840 E14 SL 0029368

Nominal Product Length (mm)	97
Nominal Product Diameter (mm)	35
Weight (kg)	0.021

PACKAGING

Single packaging type	Carton
Product EAN number	5410288293684
Packaging single length / height (cm)	11.0
Packaging single width (cm)	4.5
Packaging single depth (cm)	4.5
DUN14 (outer)	15410288293681
Units per outer package	6
Packaging outer length / height (cm)	14.3
Packaging outer width (cm)	9.7
Packaging outer depth (cm)	12.0

SAFETY DATA

Optimal operating condition (°C)	-10-45
Breakage cleaning instructions	Not applicable
Special purpose lamp	No
Dry applications use only	Yes
Suitable for household illumination	Yes
Safety message	Not Suitable for totally enclosed fixtures

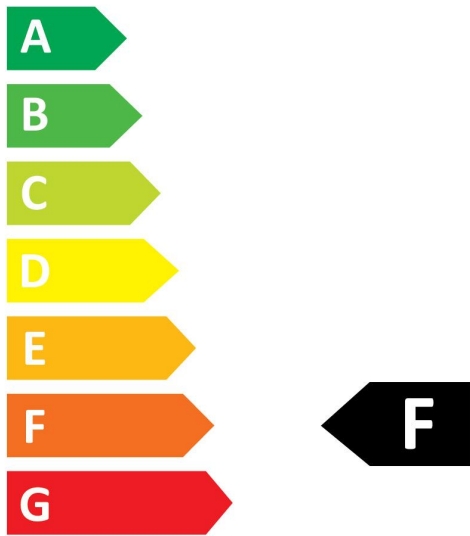
SYLVANIA

ToLEDo RT Candle V5 ST DIM 470LM 840 E14 SL
0029368

Energy label



0029368



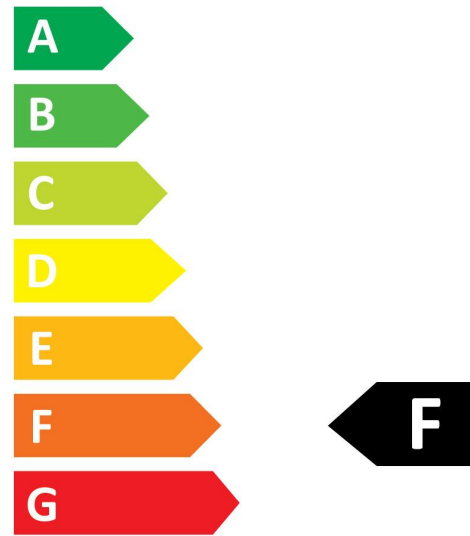
5
kWh/1000h



2019/2015



0029368



5
kWh/1000h



2019/2015