



Features

- Compact, energy efficient and exceptional value for money product Same shape and size as halogen MR16 lamp Compact Cluster SMD technology enabling high efficiency with halogen look Reduced visible heat sink from the front Available in 36 degree High lumen efficacy 12V AC/DC 25,000 hours average rated life 3 years warranty

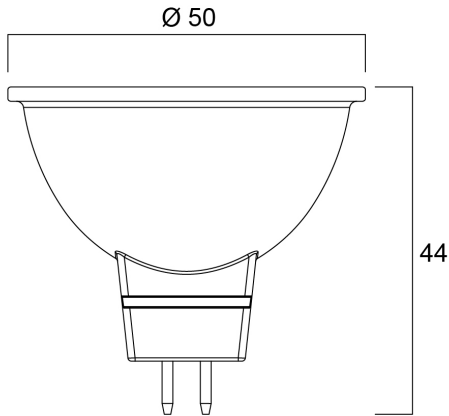
Product Overview

Product name	RefLED Superia Retro MR16 V2 380LM 840 36° SL
Technology	LED
Watt (Rated) (W)	4.3
Type	LED exchangeable
Fixture rating	Open
General application	Education, Hospitality, Residential & Consumer
ETIM Class	EC001959
E-number FI	4741108
Colour temperature (K)	4000
Light colour	Cool White
CRI (Ra)	80
Colour Consistency (SDCM)	6
Colour Variation Initial (SDCM)	6
Beam Angle (°)	36
Photobiological Risk Group	RG1
Wattage (W)	4.3
Product Voltage (V)	12
Dimmable	No
Average life (Nominal) (h)	25000

RefLED Superia Retro MR16 V2 380LM 840 36° SL 0029228

Product EAN number	5410288292281
Warranty	3 years

Technical drawings



Data table

GENERAL DATA

Product name	RefLED Superia Retro MR16 V2 380LM 840 36° SL
Technology	LED
Watt (Rated) (W)	4.3
Type	LED exchangeable
Fixture rating	Open
General application	Education, Hospitality, Residential & Consumer
Operating temperature range (°C)	-20°C...+40°C
Performance ambient temperature Tq (°C)	25
ETIM Class	EC001959
E-number FI	4741108
Warranty	3 years

OPTICAL DATA

RefLED Superia Retro MR16 V2 380LM 840 36° SL 0029228

Colour temperature (K)	4000
Light colour	Cool White
CRI (Ra)	80
Colour Consistency (SDCM)	6
Colour Variation Initial (SDCM)	6
Luminous Intensity (cd)	600
Beam Angle (°)	36
Photobiological Risk Group	RG1
Lumen maintenance at end of nominal life (%)	70

ELECTRICAL DATA

Wattage (W)	4.3
Equivalent watt (W)	35
Product Voltage (V)	12
Control gear required	No
No. Of switching cycles before premature failures	>50000
Transformer required	Yes
Dimmable	No
Lamp Energy Label (class)	F

LIFETIME DATA

Lifespan L70 B50	25000
Average life (Nominal) (h)	25000
Average life (Rated) (h)	25000

PHYSICAL DATA

Nominal Product Length (mm)	44
Nominal Product Diameter (mm)	50
Weight (kg)	0.035

PACKAGING

RefLED Superia Retro MR16 V2 380LM 840 36° SL 0029228

Single packaging type	Carton
Product EAN number	5410288292281
Packaging single length / height (cm)	8.2
Packaging single width (cm)	6.1
Packaging single depth (cm)	5.1
DUN14 (inner)	25410288292285
Units per inner package	6
Packaging inner length / height (cm)	9.5
Packaging inner width (cm)	17.0
Packaging inner depth (cm)	13.5
DUN14 (outer)	15410288292288
Units per outer package	36
Packaging outer length / height (cm)	20.0
Packaging outer width (cm)	41.5
Packaging outer depth (cm)	18.0

SAFETY DATA

Optimal operating condition (°C)	-20-40
Breakage cleaning instructions	Not applicable
Special purpose lamp	No
Dry applications use only	Yes
Suitable for household illumination	Yes
Safety message	Not Suitable for totally enclosed fixtures

SYLVANIA

RefLED Superia Retro MR16 V2 380LM 840 36° SL
0029228

Energy label



0029228



5
kWh/1000h



2019/2015



0029228



5
kWh/1000h



2019/2015