

### Features

- Integrated LED highbay; Black aluminium housing; 12700Lm; 90 W; 141 Lm/W; 6500K; Drive current: 780mA; CRI 80; 85° beam angle; 0-10V dimmable; IP65; IK08; Lifespan L80:B50 90,000 hrs; (D x H) 308 x 166 mm; 1.5 m mains cable; 1.5 m control cable; 1.2 m chain length including hooks.



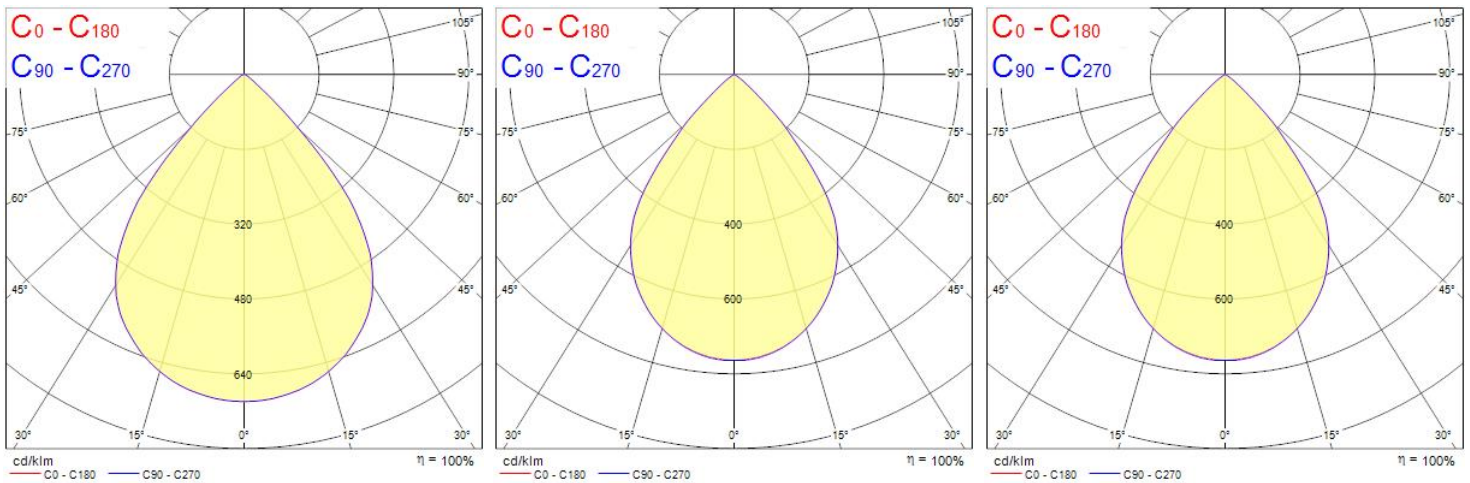
### Product Overview

Product name	Granit IP65 0-10V 13000lm 865 WB
Technology	LED
Housing	Aluminium
Mount	Suspended
Fixture rating	Enclosed
General application	Logistics & Industry
ETIM Class	EC001716
E-number FI	4357008
Fixture luminous flux (lm)	12700
Luminaire efficacy (lm/W)	141
Colour temperature (K)	6500
Light colour	Cool White
CRI (Ra)	80
Colour Variation Initial (SDCM)	3
Beam Angle (°)	85
Glare control	< 25

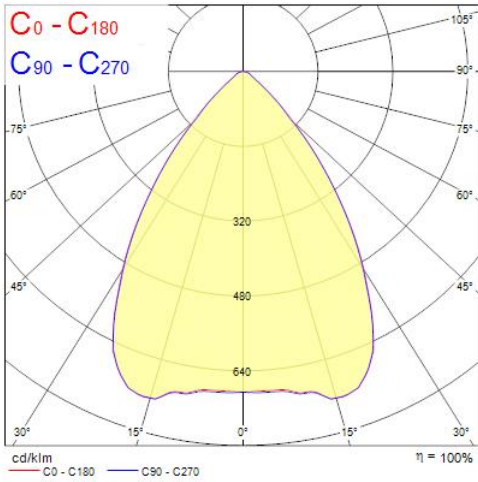
## Granit IP65 0-10V 13000lm 865 WB 0039598

Photobiological Risk Group	RG1
Total power consumption (W)	90
Electrical protection	Class I
Control gear type	Other
Dimmable	Yes
LED Flickering Rate	Ultra low (5% or less)
Housing colour	Black
IP rating	IP65
IK rating	IK08
Product EAN number	5410288395982
Warranty	5 years
Dimming method	0-10V

### Photometry



## Granit IP65 0-10V 13000lm 865 WB 0039598



Distance [m]	Cone diameter [m]	E <sub>(0°)</sub> [lx]	E <sub>(C0)</sub> [lx]
0.5	0.84	3601	40.1° 6196
1.0	1.68	9150	40.1° 2049
1.5	2.53	4067	40.1° 911
2.0	3.37	2288	40.1° 512
2.5	4.21	1464	40.1° 328
3.0	5.05	1017	40.1° 228

Distance [m] Cone diameter [m] Illuminance [lx]  
C0 - C180 (Half beam angle: 80.2°)

Distance [m]	Cone diameter [m]	E <sub>(0°)</sub> [lx]	E <sub>(C0)</sub> [lx]
0.5	0.78	3730	38.1° 9265
1.0	1.57	9433	38.1° 2316
1.5	2.35	4192	38.1° 1029
2.0	3.14	2358	38.1° 579
2.5	3.92	1509	38.1° 371
3.0	4.70	1045	38.1° 267

Distance [m] Cone diameter [m] Illuminance [lx]  
C0 - C180 (Half beam angle: 76.2°)

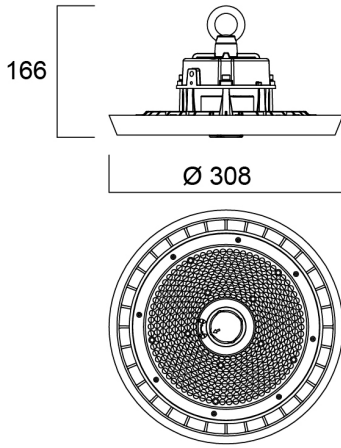
Distance [m]	Cone diameter [m]	E <sub>(0°)</sub> [lx]	E <sub>(C0)</sub> [lx]
0.5	0.76	3758	38.1° 9272
1.0	1.57	9439	38.1° 2318
1.5	2.35	4198	38.1° 1030
2.0	3.14	2360	38.1° 579
2.5	3.92	1510	38.1° 371
3.0	4.70	1049	38.1° 268

Distance [m] Cone diameter [m] Illuminance [lx]  
C0 - C180 (Half beam angle: 76.2°)

Distance [m]	Cone diameter [m]	E <sub>(0°)</sub> [lx]	E <sub>(C90)</sub> [lx]	E <sub>(C0)</sub> [lx]
0.5	0.73	33842	36.1° 9406	36.2° 9443
1.0	1.46	8481	36.1° 2372	36.2° 2361
1.5	2.19	3760	36.1° 1054	36.2° 1049
2.0	2.92	2115	36.1° 590	36.2° 590
2.5	3.65	1354	36.1° 379	36.2° 378
3.0	4.38	940	36.1° 264	36.2° 262

Distance [m] Cone diameter [m] Illuminance [lx]  
C0 - C180 (Half beam angle: 72.4°)  
C90 - C270 (Half beam angle: 72.2°)

## Technical drawings



## Data table

### GENERAL DATA

Product name	Granit IP65 0-10V 13000lm 865 WB
Technology	LED
Housing	Aluminium
Mount	Suspended
Fixture rating	Enclosed
General application	Logistics & Industry
Operating temperature range (°C)	-30°C...+50°C
Performance ambient temperature Tq (°C)	25
ETIM Class	EC001716
E-number FI	4357008
Warranty	5 years

### OPTICAL DATA

Fixture luminous flux (lm)	12700
Luminaire efficacy (lm/W)	141

## Granit IP65 0-10V 13000lm 865 WB 0039598

Colour temperature (K)	6500
Light colour	Cool White
CRI (Ra)	80
Colour Variation Initial (SDCM)	3
Beam Angle (°)	85
Glare control	< 25
Photobiological Risk Group	RG1

### ELECTRICAL DATA

Total power consumption (W)	90
Mains voltage (V)	220-240V
Lamp power factor	1
THD (at 230 V, 50 Hz, full load, at 100% dimming level) ≤ xx.x %	10
Electrical protection	Class I
Control gear required	No
Control gear type	Other
Dimmable	Yes
Dimming method	0-10V
Drive current (mA)	780
Inrush Current (A)	56.6
Inrush Duration (µs)	140
Glow Wire Test (°C)	850
Energy Efficiency Class (A->G) of contained light source	E
Nominal Frequency (Hz)	50/60Hz
LED Flickering Rate	Ultra low (5% or less)
Max. Luminaires per 10A C Breaker	12
Max. Luminaires per 13A C Breaker	15
Max. Luminaires per 16A C Breaker	20
Max. Luminaires per 20A C Breaker	24
Max. Luminaires per 10A B Breaker	7
Max. Luminaires per 13A B Breaker	9
Max. Luminaires per 16A B Breaker	12
Max. Luminaires per 20A B Breaker	14

## LIFETIME DATA

Lifespan L80 B50	90000
Lifespan L80 B20	70000
Lifespan L80 B10	65000
Lifespan L90 B50	45000

## PHYSICAL DATA

Housing colour	Black
IP rating	IP65
IK rating	IK08
Diffuser finish	Transparent
Diffuser material	PC Polycarbonate
Nominal Product Height (mm)	166
Nominal Product Diameter (mm)	308
Weight (kg)	2.43

## PACKAGING

Single packaging type	Carton
Product EAN number	5410288395982
Packaging single length / height (cm)	37.0
Packaging single width (cm)	37.0
Packaging single depth (cm)	18.0
DUN14 (outer)	05410288395982
Units per outer package	1
Packaging outer length / height (cm)	37.0
Packaging outer width (cm)	37.0
Packaging outer depth (cm)	18.0

## SAFETY DATA

Optimal operating condition (°C)	-30-50
Special purpose lamp	No
Dry applications use only	No
Suitable for household illumination	No

# **SYLVANIA**

Granit IP65 0-10V 13000lm 865 WB

**0039598**

---

**Light your world**