

**Product data**

Product code	<b>VC05-0243</b>	STK-code	<b>1914280</b>	EAN-code	<b>6410019142808</b>
Product name	OTL PEN-connector 2xAl/Cu 1,5-50mm <sup>2</sup> (Ye/Gr/Blue)			ETIM class	<b>EC000897</b>
Wires	2xAl/Cu 1,5-50 mm <sup>2</sup>				

**Technical data**

Nominal current (IEC)	Cu	<b>320</b>	A
	Al	<b>290</b>	A
Nominal voltage (IEC)	<b>1000 V AC / 1500 V DC</b>		
		-	
		-	
Number of poles		<b>1</b>	pcs
Max. Cross section		<b>50</b>	mm <sup>2</sup>
Tightening torque			
	1,5-2,5 mm <sup>2</sup>	<b>1,5</b>	Nm
	4-10 mm <sup>2</sup>	<b>5</b>	Nm
	16-50 mm <sup>2</sup>	<b>10</b>	Nm
		-	
Min. installation temperature		<b>+5</b>	°C
Operating temperature		<b>-25...+80</b>	°C
Weight		<b>90</b>	g
IP-protection		<b>IP20</b>	



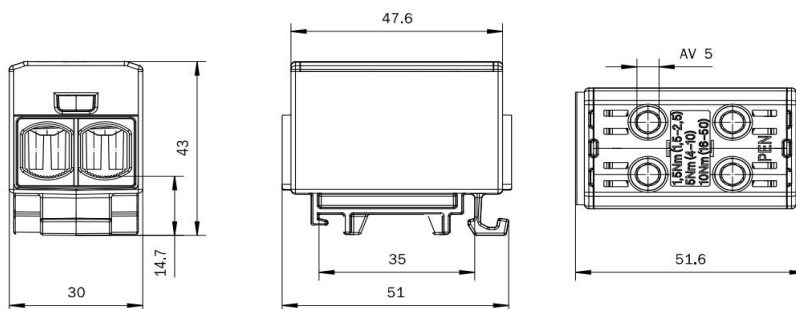
Color / Material **Grey Housing RAL 7035/PA66-V0**

Mounting / Connection **DIN-rail mounting**

**Description**

OTL-connectors are designed for connecting and branching aluminium and copper conductors. The body is made of tin plated aluminium. Housing is made of UL94 V0 class polyamide. Made in Finland.

**Drawing**



**Package**

Package	<b>Box</b>	Pcs / Package	<b>15</b>	Weight [kg]	<b>0,80</b>
Length [mm]	<b>120</b>	Width [mm]	<b>130</b>	Height [mm]	<b>100</b>

**Ouneva Oy**

Teollisuustie 21  
FI-82730 Tuupovaara  
Finland

Tel. +358 400 179 750  
[info@ouneva.fi](mailto:info@ouneva.fi)

[www.ounevagroup.fi](http://www.ounevagroup.fi)  
[www.ounevaproducts.fi](http://www.ounevaproducts.fi)