

Product data

Product code	VC05-0362	STK-code	1914283	EAN-code	6410019142839
Product name	OTL PEN-connector 2xAl/Cu 35-240mm ² (Ye/Gr/Blue)			ETIM class	EC000897
Wires	2xAl/Cu 35-240 mm ²				

Technical data

Nominal current (IEC)	Cu	850	A
	Al	380	A
Nominal voltage (IEC)	1000 V AC / 1500 V DC		
		-	
		-	
Number of poles		1	pcs
Max. Cross section		240	mm ²
Tightening torque		-	
	35-120 mm ²	26	Nm
	150-240 mm ²	40	Nm
		-	
Min. installation temperature		+5	°C
Operating temperature		-25...+80	°C
Weight		340	g
IP-protection		IP20	

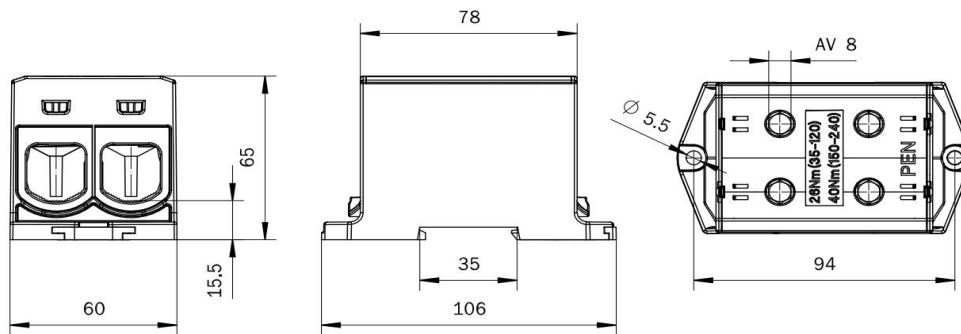


Color / Material	Grey Housing RAL 7035/PA66-V0, Tin plated Aluminium
Mounting / Connection	DIN-rail and screw (M5) mounting

Description

OTL-connectors are designed for connecting and branching aluminium and copper conductors. The body is made of tin plated aluminium. Housing is made of UL94 V0 class polyamide. Made in Finland.

Drawing



Package

Package	Box	Pcs / Package	12	Weight [kg]	4,10
Length [mm]	225	Width [mm]	190	Height [mm]	145

Ouneva Oy

Teollisuustie 21
FI-82730 Tuupovaara
Finland

Tel. +358 400 179 750
info@ouneva.fi

www.ounevagroup.fi
www.ounevaproducts.fi