

Presence detector, dual tech, PIR+US, 230 V, master, 9.5 m / 19 m, for flush-mounting box, white

350-20065

4 year warranty

This (Master) intelligent presence detector is suitable for ceiling mounting in offices. It quickly detects the smallest movements thanks to its passive infrared (PIR) and ultrasonic (US) beams. The device automatically adjusts its sensitivity to the movement registered and also has an integrated light sensor. The detection range is 360°. The detection range can be adjusted using the cover mask. The device has an IP20 protection degree.

Finishing colour: white

Compatible secondary detectors: 350-20066

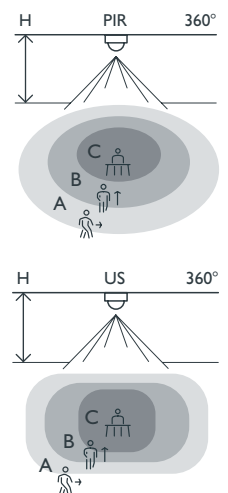
- Sustainable
- Functional
- Simple installation
- Energy saving
- With an integrated light sensor.

Presence detector for use with a view to extremely detailed detection and in large premises

- The presence detector operates using passive infrared (PIR) technology and ultrasound (US) technology.
- The presence detector is only suitable for controlling indoor lighting.
- The lighting turns on automatically when motion is detected and the daylight in the room is not sufficient. The lighting can be turned on manually using a push button even if there is sufficient daylight.
- The lighting remains on while motion is detected and the level of daylight measured is lower than the programmed value.
- The lighting can always be turned off manually.
- The detector quickly detects the slightest human motion in the room thanks to the combination of PIR and US technologies. So the motion that a PIR detector cannot detect (behind projecting parts of a wall, for example) is detected by the ultrasonic technology. This US technology also detects minuscule motion of 2 to 3 cm in a detection zone of 66 m².
- IR remote control for fast, easy setting (optional).



Detection range



PIR H I	A Across	B Towards	C Presence
2 m	∅ 7 m	∅ 4 m	∅ 3 m
2.5 m	∅ 8 m	∅ 4 m	∅ 3.5 m
3 m	∅ 9.5 m	∅ 5 m	∅ 4 m

US H I	A Across	B Towards	C Presence
2 m	13 x 8 m	8 x 6 m	6 x 4 m
2.5 m	16 x 10 m	10 x 8 m	8 x 7 m
3 m	19 x 12 m	12 x 10 m	9 x 7 m



niko

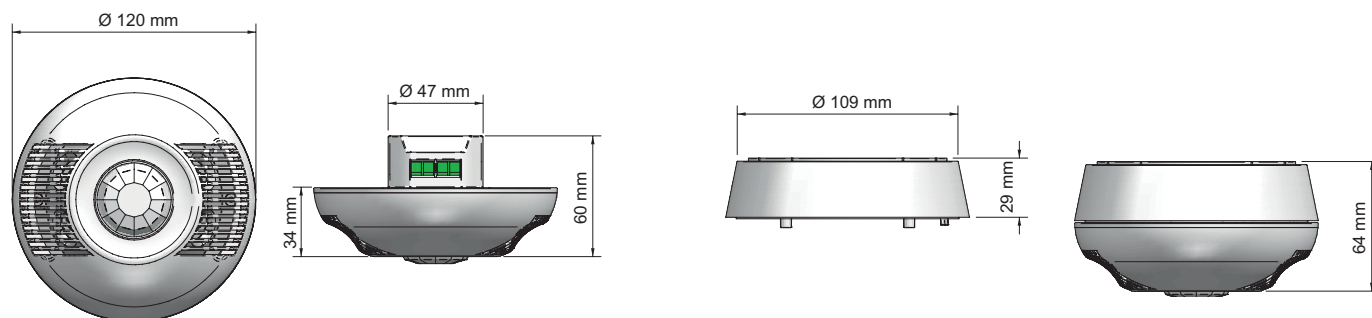
Technical data

Article number	350-20065
Compatible secondary detectors	350-20066
Input voltage	230 Vac \pm 10 %, 50 Hz
Detector output	230 V (ON/OFF)
Maximum MCB rating	10 A (limited by national installation rules)
Relay contact	N.O. (max. 10 A), potential-free
Maximum load incandescent and halogen lamps ($\cos\phi=1$)	2300 W
Maximum load economy lamps (CFLi)	350 W
Maximum load LED lamps 230 V	350 W
Maximum capacitive load	140 μ F
Maximum switching current	165 A/20 ms – 800 A/200 μ s
Light intensity range	10 lux – 2000 lux
Number of channels	1 channel
Switch-off delay	1 min – 30 min
Detection angle	360 °
Detection range (PIR)	\varnothing 9.5 m from a height of 3 m
Detection range (US)	12 x 19 m from a height of 3 m
Ambient temperature	0 – +45 °C
Mounting method	flush-mounting box
Mounting height	2 – 3 m
Dimensions visible (HxWxD)	120 x 120 x 34 mm
Dimensions (HxWxD)	120 x 120 x 60 mm
Protection degree	IP20
Marking	CE

Accessories

350-20067	IR remote control
390-20057	Flush mounting box with spring clips

Dimensions



Wiring diagram

