

Motion detector, 230 V, 13 m, 180°, IP54, for surface mounting, black

350-20158

4 year warranty

This 1-channel outdoor motion detector is especially suitable for use in a driveway or garden. It was designed to be surface mounted on a wall or partition. The detection range can be set to between 0 and 13 m and can be adapted using the cover mask. The sensor is surface-mounted on the wall. The device has a built-in light sensor and switches the lighting on and off automatically. Manual operation is also possible using the N.C. push button. After the pre-set time delay, the light is switched off automatically. This motion detector has an IP54 protection degree and complies with the European directives for EMC and safety, EN 60669-2-1. Finishing colour: black

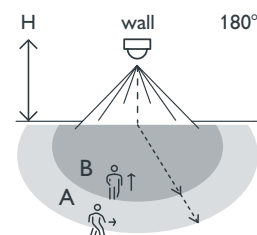
- Sustainable
- Functional
- Elegant
- Simple installation
- Energy saving
- Greater comfort
- Improved burglary protection
- Separate setting for the lux, the switch-off delay and the sensitivity

Motion detector for use in driveways, carports, gardens, etc.

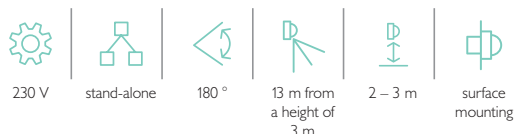
- The outdoor motion detector is fitted with a built-in light sensor; the lighting only turns on if the detector detects motion in the detection range and the level of daylight is below the programmed lux value.
- The lighting remains on while motion is detected.
- The built-in time switch allows you to set the desired switch-off delay. The lighting will remain on throughout the disconnection time after the last movement has been detected.
- The sensor's lens can be covered with the cover mask provided, so you can divide the detection zone. The cover mask can be adapted according to the desired range.



Detection range



H	A Across	B Towards
2 m	8 m	4 m
2.5 m	11 m	5.5 m
3 m	13 m	6.5 m

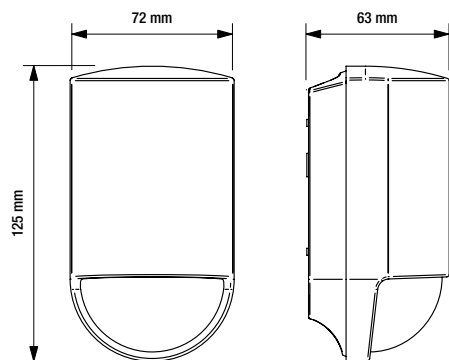


niko

Technical data

Article number	350-20158
Input voltage	230 Vac \pm 10 %, 50 Hz
Detector output	230 V (ON/OFF)
Maximum MCB rating	10 A (limited by national installation rules)
Relay contact	N.O. (max. 10 A)
Maximum load incandescent and halogen lamps ($\cos\phi=1$)	2300 W
Maximum load economy lamps (CFLi)	350 W
Maximum load LED lamps 230 V	350 W
Maximum capacitive load	140 μ F
Maximum switching current	165 A/20 ms – 800 A/200 μ s
Light intensity range	5 lux – ∞
Number of channels	1 channel
Switch-off delay	8 s – 30 min
Detection angle	180 °
Detection range (PIR)	13 m from a height of 3 m
Ambient temperature	-20 – +45 °C
Mounting method	surface mounting
Mounting height	2 – 3 m
Dimensions (HxWxD)	125 x 72 x 63 mm
Protection degree	IP54
Marking	CE

Dimensions



Wiring diagram

