

Motion detector, KNX®, 5 channels, 32 m, IP55, for surface mounting, white

350-213001

4 year warranty

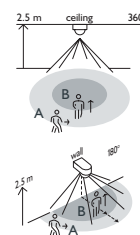
The outdoor motion detector with five channels is suitable for KNX® systems. It can be surface mounted on walls or ceilings and is easy to install thanks to the plug-in terminals. The detector can also be used for indoor applications. In conformity with the European directive for EMC and safety EN 60669-2-1.

Finishing colour: white

- KNX motion detector for outdoor use
- Also suitable for indoor daylight control, HVAC and alarm functionalities
- Wall or ceiling mounting
- Corner mounting bracket (available as accessory)
- Easy installation with plug-in terminals
- Adjustable sensor head - right/left 90°, up 90°, down 40°
- Two sensitivity zones: frontal and below
- Pulse algorithm prevents false triggering by trees or other objects
- Master/secondary configuration or stand-alone
- 2 channels for on/off or dimming
- 2 channels for HVAC
- 1 channel for alarm
- Two separate light levels (orientation light level and normal light level)
- Commissioning via ETS software or IR-remote control (available as accessory)



Detection range



H ceiling	A Across	B Towards
2.5 m	∅ 32 m	∅ 14 m

H wall	A Across	B Towards
2.5 m	16 m	7 m



niko

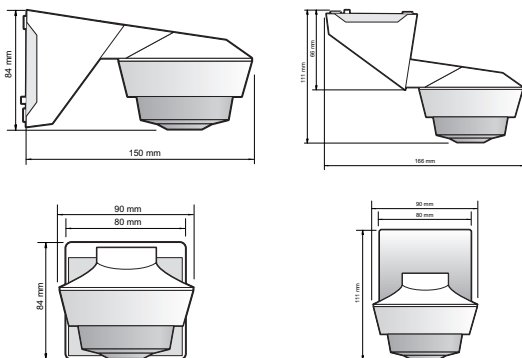
Technical data

Article number	350-213001
Input voltage	30 Vdc via KNX®-bus
Detector output	KNX®
Maximum current consumption	10 mA
Light intensity range	5 lux – 2000 lux, ∞
Number of channels	5 channels
Switch-off delay	5 s – 1 h, ∞
Detection angle	360 °
Detection range (PIR)	∅ 32 m from a height of 2.5 m
Ambient temperature	-20 – +50 °C
Mounting method	surface mounting
Mounting height	2 – 3 m
Colour	white (approximately RAL 9010)
Dimensions (HxWxD)	84 x 90 x 150 mm
Protection degree	IP55
Marking	CE

Accessories

350-999908	IR remote control
350-993991	Corner-mounting bracket, white

Dimensions



Wiring diagram

