

Presence detector, KNX® , 5 channels, 7-8 m, IP54, mini, for flush mounting, white

350-34001

4 year warranty

This flat lens mini presence detector with 5 channels is suitable for KNX® systems. It can be flush mounted in the ceiling or in thin ceiling profiles. A black deco ring can be ordered separately. In conformity with the European directive for EMC and safety EN 60669-2-1.

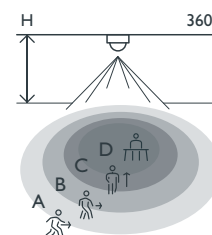
Finishing colour: white

Compatible secondary detectors: 350-34001

- High performing flat lens
- Plug-in terminals for fast installation
- Easy configuration (well-structured ETS file)
- 5 channels
- Various applications: presence, lux, constant light switch, HVAC, alarm
- Flat design, available in white and black finish (exchangeable deco ring)
- IP54



Detection range



H	A Walking	B Across	C Towards	D Presence
2.5 m	ø 7 m	ø 7 m	ø 2 m	ø 5 m
3.0 m	ø 8 m	ø 8 m	ø 2 m	ø 3 m

Measured according to EN/IEC63180



KNX®



master/
secondary



360°



ø 8 m from
a height of
3 m



2 – 4 m



flush-
mounting

niko

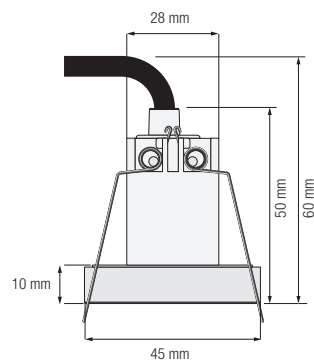
Technical data

Article number	350-34001
Compatible secondary detectors	350-34001
Input voltage	30 Vdc via KNX®-bus
Detector output	KNX®
Maximum power consumption	0.3 W
Maximum current consumption	10 mA
Light intensity range	10 lux – 2000 lux
Number of channels	5 channels: channel 1-3 for adjustable control, channel 4 for HVAC and channel 5 for light measurement
Switch-off delay	1 s – 18 h 12 min 15 s
Detection angle	360 °
Detection range (PIR)	∅ 8 m from a height of 3 m
Ambient temperature	-20 – +50 °C
Mounting method	flush-mounting
Mounting height	2 – 4 m
Drill diameter	28 mm
Minimum flush-mounting depth	40 mm
Colour	white (approximately RAL 9010)
Dimensions visible (HxWxD)	45 x 45 x 10 mm
Dimensions (HxWxD)	45 x 45 x 50 mm
Protection degree	IP54
Impact resistance	IK02
Modification of settings	ETS software
Marking	CE

Accessories

390-34011 Deco ring for P34MR mini detector, black

Dimensions



Wiring diagram

