

# Motion detector M34LR, KNX®, 5 channels, 39-41 m, IP40, for flush-mounting box, black

350-34013

4 year warranty

This motion detector with 5 channels is suitable for KNX® systems. It can be installed in a flush-mounting box. Spring clips for flush-mounting and a surface-mounting box can be ordered separately. In conformity with the European directive for EMC and safety EN 60669-2-1.

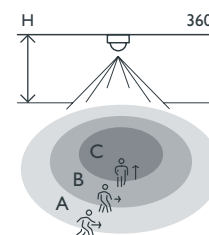
Finishing colour: black

Compatible secondary detectors: 350-34013

- High performance (up to 41 m)
- Plug-in terminals for fast installation
- Easy configuration (well-structured ETS file)
- 5 channels
- Various applications: presence, lux, constant light switch, HVAC, alarm
- IP40
- For flush-mounting box, flush or surface mounting via accessories



## Detection range



H	A Walking	B Across	C Towards
2.5 m	∅ 39 m	∅ 26 m	∅ 6 m
3.0 m	∅ 41 m	∅ 27 m	∅ 7 m

Measured according to EN/IEC63180



**niko**

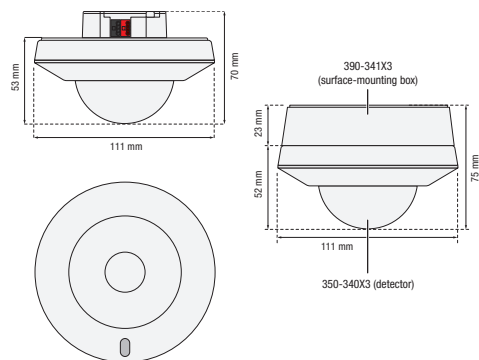
## Technical data

Article number	350-34013
Compatible secondary detectors	350-34013
Input voltage	30 Vdc via KNX®-bus
Detector output	KNX®
Maximum power consumption	0.3 W
Maximum current consumption	10 mA
Light intensity range	10 lux – 2000 lux
Number of channels	5 channels: channel 1-3 for adjustable control, channel 4 for HVAC and channel 5 for light measurement
Switch-off delay	1 s – 18 h 12 min 15 s
Detection angle	360 °
Detection range (PIR)	∅ 41 m from a height of 3 m
Ambient temperature	-20 – +50 °C
Mounting method	flush-mounting box
Mounting height	2 – 3 m
Drill diameter	56 mm
Minimum flush-mounting depth	17 mm
Colour	black (approximately RAL 9011)
Dimensions visible (HxWxD)	111 x 111 x 53 mm
Dimensions (HxWxD)	111 x 111 x 70 mm
Protection degree	IP40
Impact resistance	IK02
Modification of settings	ETS software
Marking	CE

## Accessories

390-34103	Surface-mounting box for M34LR, white
390-34113	Surface-mounting box for M34LR, black
390-34203	Flush-mounting box with spring clips for M34LR/M34HC, black

## Dimensions



## Wiring diagram

