

# Presence detector P42MR, 230 V, master, 2 channels, 12 – 13 m, for flush mounting (SnapFit), white

353-601221

4 year warranty

This flat and discrete presence detector is a 2-channel master detector for automatic lighting control. The SnapFit mounting bracket ensures a quick and stable mounting in all types of suspended ceilings with or without removable tiles. The detector's settings can be modified using the Niko detector tool app and 2-way Bluetooth® communication between a smartphone and the detector.

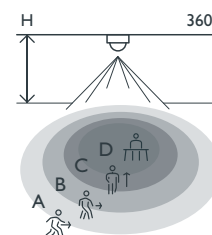
Finishing colour: white

Compatible secondary detectors: 353-600021, 353-601021, 353-602021, 353-700021, 353-701021, 353-702021, 353-802011

- Flat and discrete design
- SnapFit mounting bracket for easy and stable mounting in all types of suspended ceilings with or without removable tiles
- Quick cabling using screwless and easily accessible plug-in terminals
- Screwless strain relief and screwless installation of cable cover
- User-friendly app for settings (iOS/Android)
- 2-way Bluetooth® communication ensures quick modification of settings and live feedback in the app
- Pre-configured functions:
  - adjustable PIR sensitivity (4 levels)
  - event log keeps track of recent changes
- Each channel can be set independently
- Detection range can be increased using up to 10 secondary detectors
- Wireless communication between master and secondary detectors with a repeater function
- Robust potential-free relay
- Automatic lighting control can be controlled with a 230 V push button – one for each channel separately or one for both channels
- Settings and configuration can be locked with a PIN code
- Web based portal solution for backing up and exchanging configuration files



## Detection range



H	A Walking	B Across	C Towards	D Presence
2.5 m	∅ 13 m	∅ 11 m	∅ 3 m	∅ 5 m
3.0 m	∅ 12 m	∅ 12 m	∅ 3 m	∅ 5 m

Measured according to EN/IEC63180



Bluetooth®



230 V



master



360°



∅ 12 m from  
a height of  
3 m



2 – 3.5 m



flush-  
mounting  
(SnapFit)

**niko**

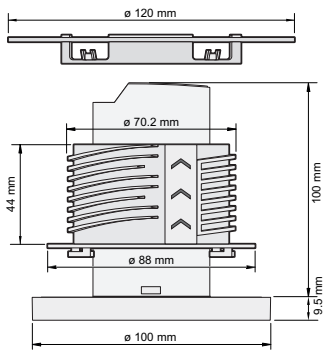
## Technical data

Article number	353-601221
Compatible secondary detectors	353-600021, 353-601021, 353-602021, 353-700021, 353-701021, 353-702021, 353-802011
Input voltage	230 Vac $\pm$ 10 %, 50 Hz
Detector output	230 V (ON/OFF)
Maximum power consumption	0.2 W
Maximum MCB rating	16 A (limited by national installation rules)
Relay contact	2 x N.O. (max. 10 A), potential-free
Maximum load incandescent and halogen lamps ( $\cos\phi=1$ )	2300 W
Maximum load fluorescent lamps ( $\cos\phi \geq 0.5$ )	1200 VA
Maximum load economy lamps (CFLi)	350 W
Maximum load LED lamps 230 V	350 W
Maximum load LED driver	500 VA
Maximum load electronic transformer	500 VA
Maximum capacitive load	140 $\mu$ F
Maximum switching current	165 A/20 ms – 800 A/200 $\mu$ s
Light intensity range	20 lux – 2000 lux, $\infty$
Number of channels	2 channels
Maximum number of secondary detectors	10
Switch-off delay	pulse, 15 s – 2 h, $\infty$
Detection angle	360 °
Detection range (PIR)	$\varnothing$ 12 m from a height of 3 m
Ambient temperature	-25 – +40 °C
Mounting method	flush-mounting (SnapFit)
Mounting height	2 – 3.5 m
Drill diameter	76 mm
Minimum flush-mounting depth	100 mm
Colour	white (approximately RAL 9010)
Dimensions visible (HxWxD)	100 x 100 x 9.5 mm
Dimensions (HxWxD)	120 x 120 x 109.5 mm
Maximum range Bluetooth® (free field, depending on the device)	50 m
Operating frequency	2.4 GHz
Maximum radio frequency power	-2 dBm
Protection degree	IP20
Impact resistance	IK02
Modification of settings	Niko detector tool app (iOS-Android) and 2-way Bluetooth® communication
Halogen-free	yes
Marking	CE

## Accessories

353-990992	Deco ring for flush-mounted P4XMR and M4XMR detectors, black
353-991901	Spring clips for flush-mounted P4XMR, P4XLR, M4XMR and M4XLR detectors (SnapFit)

## Dimensions



## Wiring diagram

