

# Motion detector M42LR, 230 V, 32 – 37 m, IP54, for surface mounting, white

353-702111

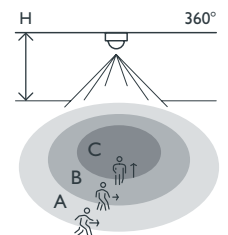
4 year warranty

This motion detector is a 1-channel, stand-alone detector with a large detection range for automatic lighting control. It is designed for surface mounting and has an IP54 protection degree. The detector's settings can be modified using the Niko detector tool app and 2-way Bluetooth® communication between a smartphone and the detector. Finishing colour: white

- Surface mounting
- Quick cabling using screwless and easily accessible plug-in terminals
- User-friendly app for commissioning (iOS/Android)
- 2-way Bluetooth® communication ensures quick modification of settings and live feedback in the app
- Fitted with three PIR segments, each covering 120°
- Pre-configured functions:
  - adjustable PIR sensitivity (4 levels) in 3 x 120°
  - one or more PIR segments can be disabled
  - event log keeps track of recent changes
- Robust potential-free relay
- Automatic lighting control can be overridden with a 230 V push button - different options available
- Settings and configuration can be locked with a PIN code
- Web based portal solution for backing up and exchanging configuration files
- IP54 protection degree



## Detection range



H	A Walking	B Across	C Towards
2.5 m	∅ 32 m	∅ 28 m	∅ 10 m
3.0 m	∅ 37 m	∅ 30 m	∅ 8 m

Measured according to EN/IEC63180



Bluetooth®

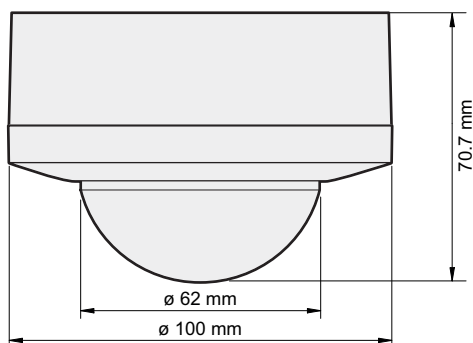


**niko**

## Technical data

Article number	353-702111
Input voltage	230 Vac $\pm$ 10 %, 50 Hz
Detector output	230 V (ON/OFF)
Maximum power consumption	0.2 W
Maximum MCB rating	16 A (limited by national installation rules)
Relay contact	N.O. (max. 10 A), potential-free
Maximum load incandescent and halogen lamps ( $\cos\phi=1$ )	2300 W
Maximum load fluorescent lamps ( $\cos\phi \geq 0.5$ )	1200 VA
Maximum load economy lamps (CFLi)	350 W
Maximum load LED lamps 230 V	350 W
Maximum load LED driver	500 VA
Maximum load electronic transformer	500 VA
Maximum capacitive load	140 $\mu$ F
Maximum switching current	165 A/20 ms – 800 A/200 $\mu$ s
Light intensity range	20 lux – 2000 lux, $\infty$
Number of channels	1 channel
Switch-off delay	pulse, 15 s – 2 h, $\infty$
Detection angle	360 °
Detection range (PIR)	$\varnothing$ 37 m from a height of 3 m
Ambient temperature	-25 – +40 °C
Mounting method	surface mounting
Mounting height	2 – 3.5 m
Colour	white (approximately RAL 9010)
Dimensions visible (HxWxD)	100 x 100 x 70.7 mm
Dimensions (HxWxD)	100 x 100 x 70.7 mm
Maximum range Bluetooth® (free field, depending on the device)	50 m
Operating frequency	2.4 GHz
Maximum radio frequency power	-2 dBm
Protection degree	IP54
Impact resistance	IK04
Modification of settings	Niko detector tool app (iOS-Android) and 2-way Bluetooth® communication
Halogen-free	yes
Marking	CE

## Dimensions



## Wiring diagram

