

# Presence detector P42LR, 230 V, master, 32 – 37 m, IP54, for surface mounting, white

353-702121

4 year warranty

This presence detector is a 1-channel master detector with a large detection range for automatic lighting control. It is designed for surface mounting and has an IP54 protection degree. The detector's settings can be modified using the Niko detector tool app and 2-way Bluetooth® communication between a smartphone and the detector.

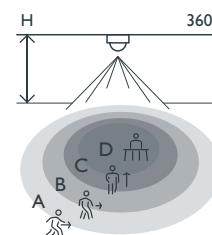
Finishing colour: white

Compatible secondary detectors: 353-600021, 353-601021, 353-602021, 353-700021, 353-701021, 353-702021, 353-802011

- Surface mounting
- Quick cabling using screwless and easily accessible plug-in terminals
- User-friendly app for commissioning (iOS/Android)
- 2-way Bluetooth® communication ensures quick modification of settings and live feedback in the app
- Fitted with three PIR segments, each covering 120°
- Pre-configured functions:
  - adjustable PIR sensitivity (4 levels) in 3 x 120°
  - one or more PIR segments can be disabled
  - event log keeps track of recent changes
- Detection range can be increased using up to 10 secondary detectors
- Wireless communication between master and secondary detectors with a repeater function
- Robust potential-free relay
- Automatic lighting control can be overridden with a 230 V push button - different options available
- Settings and configuration can be locked with a PIN code
- Web based portal solution for backing up and exchanging configuration files
- IP54 protection degree



## Detection range



| H     | A<br>Walking | B<br>Across | C<br>Towards | D<br>Presence |
|-------|--------------|-------------|--------------|---------------|
| 2.5 m | ∅ 32 m       | ∅ 28 m      | ∅ 10 m       | ∅ 8 m         |
| 3.0 m | ∅ 37 m       | ∅ 30 m      | ∅ 8 m        | ∅ 4 m         |

Measured according to EN/IEC63180



Bluetooth

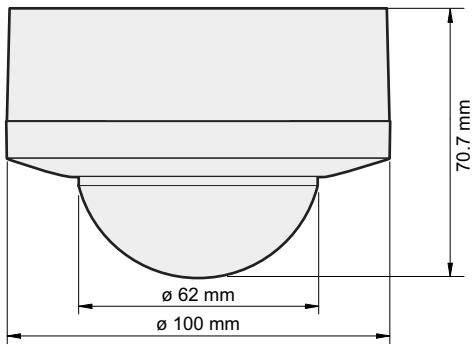


**niko**

## Technical data

|  |  |
|--|--|
| Article number   | 353-702121   |
| Compatible secondary detectors                                 | 353-600021, 353-601021, 353-602021, 353-700021, 353-701021, 353-702021, 353-802011 |
| Input voltage  | 230 Vac $\pm$ 10 %, 50 Hz  |
| Detector output  | 230 V (ON/OFF)   |
| Maximum power consumption                                      | 0.2 W  |
| Maximum MCB rating   | 16 A (limited by national installation rules)                                      |
| Relay contact  | N.O. (max. 10 A), potential-free   |
| Maximum load incandescent and halogen lamps ( $\cos\phi=1$ )   | 2300 W   |
| Maximum load fluorescent lamps ( $\cos\phi \geq 0.5$ )         | 1200 VA  |
| Maximum load economy lamps (CFLi)                              | 350 W  |
| Maximum load LED lamps 230 V                                   | 350 W  |
| Maximum load LED driver  | 500 VA   |
| Maximum load electronic transformer                            | 500 VA   |
| Maximum capacitive load  | 140 $\mu$ F  |
| Maximum switching current                                      | 165 A/20 ms – 800 A/200 $\mu$ s  |
| Light intensity range  | 20 lux – 2000 lux, $\infty$  |
| Number of channels   | 1 channel  |
| Maximum number of secondary detectors                          | 10   |
| Switch-off delay   | pulse, 15 s – 2 h, $\infty$  |
| Detection angle  | 360 °  |
| Detection range (PIR)  | $\varnothing$ 37 m from a height of 3 m  |
| Ambient temperature  | -25 – +40 °C   |
| Mounting method  | surface mounting   |
| Mounting height  | 2 – 3.5 m  |
| Colour   | white (approximately RAL 9010)   |
| Dimensions visible (HxWxD)                                     | 100 x 100 x 70.7 mm  |
| Dimensions (HxWxD)   | 100 x 100 x 70.7 mm  |
| Maximum range Bluetooth® (free field, depending on the device) | 50 m   |
| Operating frequency  | 2.4 GHz  |
| Maximum radio frequency power                                  | -2 dBm   |
| Protection degree  | IP54   |
| Impact resistance  | IK04   |
| Modification of settings                                       | Niko detector tool app (iOS-Android) and 2-way Bluetooth® communication            |
| Halogen-free   | yes  |
| Marking  | CE   |

## Dimensions



## Wiring diagram

