

Programming adapter, KNX®

360-39001

4 year warranty

This programming adapter allows you to provide the KNX® wireless and battery-free dimmer switch (360-31001) with energy during commissioning. Connect the programming adapter to the KNX® dimmer switch and configure the functions of the buttons using the ETS software that is available on the KNX® Association website. The adapter requires two AAA batteries (not included).

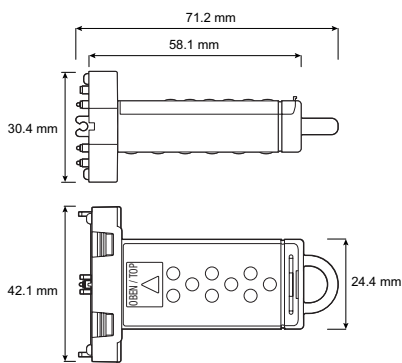
Technical data

Programming adapter, KNX®

- Communication protocol: KNX®-RF
- Ambient temperature: -20 – +45 °C
- Protection degree: IP20
- Weight: 16 g
- Dimensions (HxWxD): 30.4 x 71.2 x 42.1 mm
- Marking: CE



Dimensions



Wiring diagram

