

4-channel constant voltage LED controller, wireless

410-00121

4 year warranty

The 4-channel controller is suitable for controlling LED strips (constant voltage, common anode) from 12 to 24 Vdc. The controller has a maximum power of 50 W per channel for 12 Vdc LED strips and of 100 W per channel for 24 Vdc LED strips. The controller can control the following types of LED strips: RGB, RGBW, tunable white and monochrome. We recommend using the specifically designed RGB(W) wall controller in 4-button mode (article numbers 410-00002 + XXX-90002) for controlling the colour LED strips. Replaces 340-00120 & 340-00121



Technical data

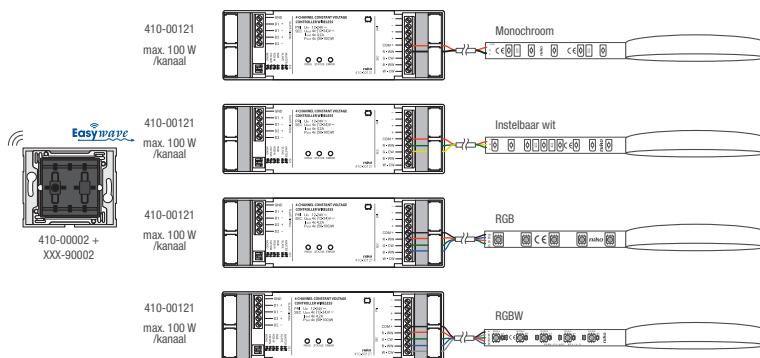
4-channel constant voltage LED controller, wireless

Technical data

- Not compatible with the wireless bridge
- Ambient temperature: +45 °C
- Protection degree: IP20
- Dimensions (HxWxD): 176 x 62 x 36 mm
- Marking: CE



Dimensions



niko

Wiring diagram

