

Smart plug with pin earthing, Zigbee®

552-80699

4 year warranty

Use the smart plug to switch any plugged-in device on and off and to measure its energy consumption. Once the smart plug has been inserted into a wall-mounted socket outlet, you can switch the plugged-in device on and off locally using the button on the plug. To benefit from all the smart functionalities Niko Home Control has to offer such as smartphone control inside and outside the home (e.g. in an all-off function or solar mode) and to monitor your energy consumption, you can wirelessly connect the smart plug to the separately available wireless smart hub for Niko Home Control (552-00001). This device can also be used in a bus wiring installation in combination with the wireless bridge for Niko Home Control (550-00640). The easy way of connecting the smart plug makes it possible to move the plug around in your house to discover the energy consumption of multiple appliances with just one smart plug.



Technical data

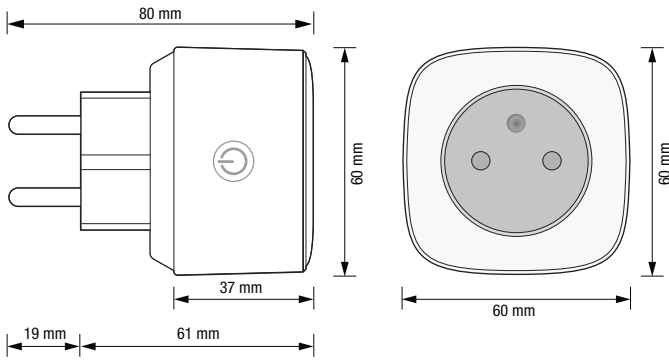
Smart plug with pin earthing, Zigbee®

- standby consumption: ≤ 0.5 W
- maximum load: 16 A / 3680 W
- internal overcurrent protection: switches off at > 16 A
- maximum range: 10 m indoor depending on building materials
- LED indicator for status and error information
- measuring precision: ± 0.5 W (1 - 5W), ± 5 % (5 - 3680 W). This device should not be used for billing purposes. The data recorded by this device should be used for information purposes only
- maximum per Niko Home Control installation: 25 smart plugs
- all plastic components are self-extinguishing (comply with a filament test of 650°C) and are halogen-free.
- not suitable for electric vehicle charging (in mode 1 or 2) nor frequent switching of heavy loads (e.g. motors or electrical heating devices without an integrated thermostat).
- system compatibility: Zigbee® 3.0, Niko Home Control II
- modification of settings: Configuration and control app Niko Home OR Niko Home Control programming software
- Compatible with the wireless bridge
- Input voltage: 230 Vac ± 10 %, 50 Hz
- Maximum MCB rating: 16 A (limited by national installation rules)
- Communication protocol: Zigbee® 3.0
- Maximum radio frequency power: 10 dBm
- Operating frequency: 2.4 GHz
- System compatibility: talks with Homey (Zigbee®)
- Ambient temperature: 0 – 35 °C
- Protection degree: IP20-D
- Weight: 118 g
- Dimensions (HxWxD): 60 x 60 x 80 mm
- Marking: CE

niko



Dimensions



Wiring diagram

