

Adapter frame with hinged lid suitable for 45 x 45 mm functions in splashproof mounting boxes, grey

700-85000

4 year warranty

This adjustable frame is used to build 45 x 45 mm functions into splashproof mounting boxes. It is suitable for data modules, telephone sockets, audio connections and TV/FM sockets. The adjustable frame is equipped with a hinged protective cover. Colour combination: light grey with dark grey protective cover.

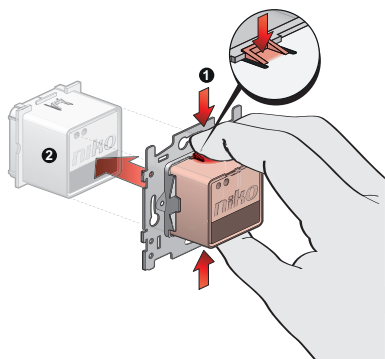
Technical data

Adapter frame with hinged lid suitable for 45 x 45 mm functions in splashproof mounting boxes, grey.

- Colour: The switch is light grey (coloured in mass, approximately NCS S 1502 - B, RAL 7035) and the control button is dark grey (coloured in mass, approximately NCS S 3502 - B)
- Sealing: The cover has an integral closure and is hermetically sealed onto the appropriate box.
- Number of mechanisms: 1
- Material finishing: The adapter frame is made of impact-resistant, dust-resistant, halogen-free and self-extinguishing polypropylene (UL94-V2/1.6 mm). The protection cap is made of rigid ABS.
- Surface-mounting box: The function is designed to be mounted in a splashproof mounting box. The function has an integral closure and is hermetically sealed onto the appropriate box (to be ordered separately).
- Ambient temperature: -25 – +55 °C
- Protection degree: See protection degree of the mounted function
- Impact resistance: The combination of a Hydro mechanism and a flush- or surface-mounting box has an impact resistance of IK07 with a minimum temperature of -25 °C and a maximum temperature of 55 °C
- Dimensions (HxWxD): 73 x 73 x 15 mm
- Marking: CE



Dimensions



niko

Wiring diagram

