

53112680 Internal	DATA SHEET	
Valid from: 02.05.2025	SKINTOP® MS-M BRUSH	

The SKINTOP® MS-M BRUSH a nickel-plated brass cable gland especially designed for copper-screened cables, used to achieve a low-resistance screen contact, strain relief and high protection class.
The SKINTOP® MS-M BRUSH contacts the screen much faster than any other system.



Components:

Gland body	Brass, nickel-plated
Cap nut	Brass, nickel-plated
Insert with lamellar cage	Polyamide, V2 acc. to UL 94
Sealing ring	CR
Contact brush	Brass wire
O-ring	NBR

Technical features:

Connecting thread	M16x1,5 up to M63x1.5 acc. to DIN EN 60423
Protection class / NEMA Type Rating	IP66 acc.to DIN EN 60529 IP68 – 10 bar / 30min for M20x1,5 up to M50x1,5 acc. to DIN EN 60529 IP68 – 5 bar / 30min for M63x1,5 acc. to DIN EN 60529 IP68 – 1bar / 30min for M63x1,5 plus acc. to DIN EN 60529 IP69 acc. to EN 60529 (except for M63x1.5 plus) Type1, Type4X, Type6 and Type12 acc. to UL 50 E, CSA C22.2 No. 94.2-15
Strain relief	Category A acc. to DIN EN 62444
Temperature range	Dynamic -25 °C up to +100 °C Static -40 °C up to +100 °C
Transfer impedance	≤ 10 mOhm
Corrosion protection	Salt spray test (168 H. / 35°C) acc. to DIN EN ISO 9227

Approvals:




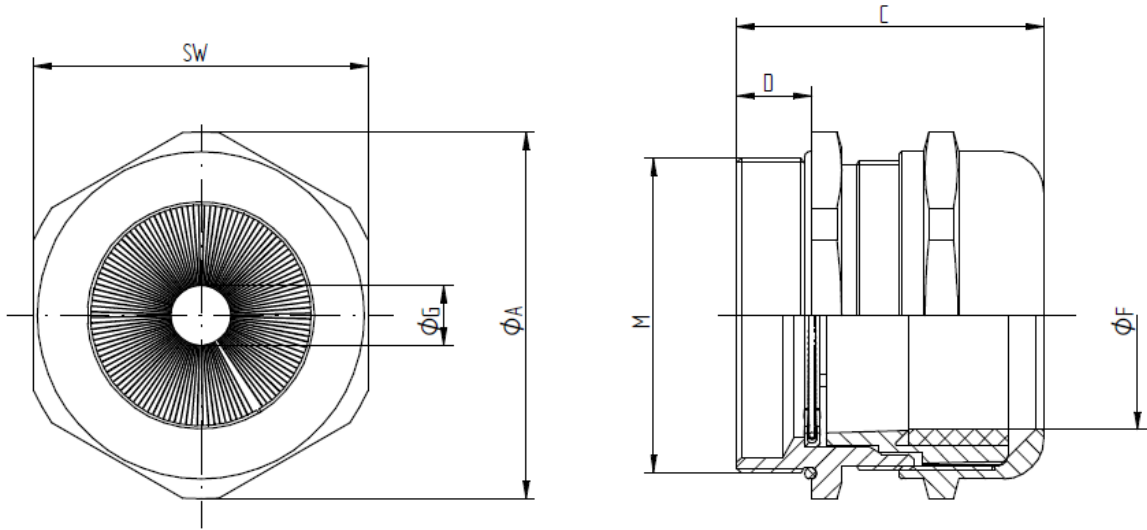
UL File Nr. E79903
(Test in acc. to UL514B)

Norm references:



Creator: PDP Released: DAMU1/PDP	Document: DB53112680EN Version: 20	Page 1 of 2
-------------------------------------	---------------------------------------	-------------

53112680	DATA SHEET	
Internal		
Valid from: 02.05.2025	SKINTOP® MS-M BRUSH	



M	SW [mm]	ϕA [mm]	C max. [mm]	D [mm]	ϕF [mm] Clamping range	ϕG [mm] over braiding	O-Ring [mm]	Art. No.
M16x1,5	20	22	32	7	4,5-10	2-6	13x2	5311 2506
M20x1,5	24	26,4	37,0	8	7 - 13	3 - 9	17x2	5311 2507
M25x1,5	29	31,9	36,0	8	9-17	6-13,5	22x2	53112676
M32x1,5	36	39,6	42,2	9	11-21	8-18	28x2	53112677
M40x1,5	45	49,5	49,5	9	19-28	10-26	36x2	53112678
M50x1,5	54	59,0	52,0	10	27-35	14-36	46x2	53112679
M63x1,5	67	73,5	61,3	15	34-45	20-40	57x2	53112680
M63x1,5 plus	75	83,9	69,0	15	44-55	25-47	57x2	53112681

For more information, please see our current catalogue. Please do not hesitate to contact our laboratory if there are any questions regarding resistance against aggressive agents and special oil.

Creator: PDP Released: DAMU1/PDP	Document: DB53112680EN Version: 20	Page 2 of 2
-------------------------------------	---------------------------------------	-------------