


19429000	DATA SHEET	
Valid from: 04.04.2024	EPIC® H-A 3 TGB	

Description

- Compact housing for power supply in the smallest place.



General Characteristics

Series	H-A 3
Version	Coupler hood
Locking	Single lever
Cable entry	M20x1,5 according to EN 60423
Cable gland	See table
Protection rating (DIN EN 60529)	IP 67 (latched)
Protection rating (NEMA 250, UL50E)	4, 12 (latched)
Temperature Range	-40°C to +100°C, short term up to +125°C

Materials / Surfaces

Housing	PA-GF
Locking lever	PA-GF
Flammability Class according to UL94	V-0

Approvals

VDE-Approval, VDE-REG.-Nr.	B437
UL-Approval, E-File-Number	E75770


Standard

Harmonised standard	DIN EN 60529
Safety standard	IEC 61984

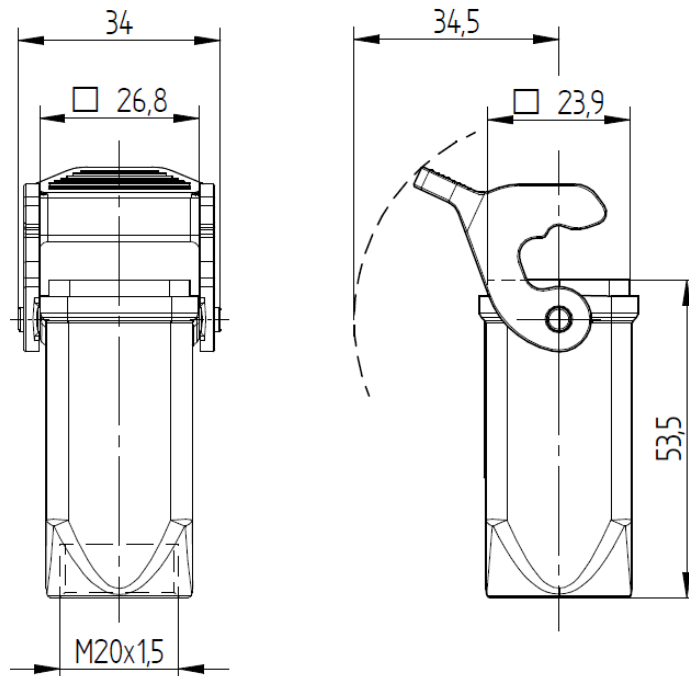
Versions

Article number	Article description	Cable gland	Color
19429000	EPIC® H-A 3 TGB M20 GR	No	Grey (RAL 7035)
19429200	EPIC® H-A 3 TGB M20 BK	No	Black (RAL 9005)

Creator: TODV1/BU EPIC Released: VACH1/BU EPIC	Document: DB19429000EN Version: 04	Page 1 of 2
---	---------------------------------------	-------------

19429000	DATA SHEET	
Valid from: 04.04.2024	EPIC® H-A 3 TGB	

Technical Drawings



Industrial machinery and plant engineering



Mechanical resistance



Robust



Waterproof

Application range

Machine and equipment manufacturing, control engineering, electronic laboratory

Remark

Photographs are not to scale and do not represent detailed images of the respective products.

Creator: TODV1/BU EPIC Released: VACH1/BU EPIC	Document: DB19429000EN Version: 04	Page 2 of 2
---	---------------------------------------	-------------