

Product datasheet

Specifications



discrete output module Modicon Quantum - 16 O - 83..253 V AC

Local distributor code:

395516212

140DAO84210

⚠ To be discontinued on: 31 Dec 2030

⚠ To be end-of-service on: 31 Dec 2030

⚠ Discontinued - Service only

EAN Code: 3595861126985

Main

Range of product	Modicon Quantum automation platform
Product or component type	AC discrete output modules
Discrete output number	16

Complementary

Group of channels	4 groups of 4 channels
Supply frequency	47...63 Hz
maximum voltage drop	1.5 V
Discrete output voltage	83...253 V AC
Addressing requirement	1 output word
Absolute maximum output	300 Vrms for 10 s AC 400 Vrms 1 cycle AC
Maximum load current	2 mA rms 115 Vrms off state leakage per output 2.5 mA rms 230 Vrms off state leakage per output 3 A rms 170...253 V per output 4 A rms 85...132 V per output 16 A rms per module 4 A rms per group
Surge current	10 A during 3 cycles per point 20 A during 2 cycles per point 30 A during 1 cycle per point 25 A during 3 cycles per group 30 A during 2 cycles per group 45 A during 1 cycle per group
DV/dt	400 V/ms
Response time	<= 0.5 ms at state 0 to state 1 <= 0.5 ms at state 1 to state 0
Fault indication	Blown fuse Loss of field power
Protection type	Internal by RC filter Internal output protection by 5 A fuse
Power dissipation	1.85 + (1.1 V x total module load current)
Marking	CE
Local signalling	1 LED (green) for bus communication is present (Active) 1 LED (red) for external fault detected (F) 16 LEDs (green) for input status
Bus current requirement	350 mA
Module format	Standard

Net weight	0.45 kg
------------	---------

Environment

Product certifications	cUL FM Class 1 Division 2
------------------------	------------------------------

Standards	UL 508 CSA C22.2 No 142
-----------	----------------------------

Electromagnetic compatibility	Electrostatic discharge immunity test - test level: 4 kV (contact discharge) conforming to IEC 801-2 Electrostatic discharge immunity test - test level: 8 kV (air discharge) conforming to IEC 801-2 Susceptibility to electromagnetic fields - test level: 10 V/m (80...1000 MHz) conforming to IEC 801-3
-------------------------------	---

Ambient air temperature for operation	0...60 °C
---------------------------------------	-----------

Ambient air temperature for storage	-40...85 °C
-------------------------------------	-------------

Relative humidity	95 % without condensation
-------------------	---------------------------

Operating altitude	<= 5000 m
--------------------	-----------

Packing Units

Unit Type of Package 1	PCE
------------------------	-----

Number of Units in Package 1	1
------------------------------	---

Package 1 Height	16.3 cm
------------------	---------

Package 1 Width	4.5 cm
-----------------	--------

Package 1 Length	31.2 cm
------------------	---------

Package 1 Weight	634.0 g
------------------	---------

Contractual warranty

Warranty	18 months
----------	-----------

Environmental Data

Schneider Electric aims to achieve Net Zero status by 2050 through supply chain partnerships, lower impact materials, and circularity via our ongoing "Use Better, Use Longer, Use Again" campaign to extend product lifetimes and recyclability.

[Environmental Data explained >](#)

[How we assess product sustainability >](#)

Use Better

Materials and Substances

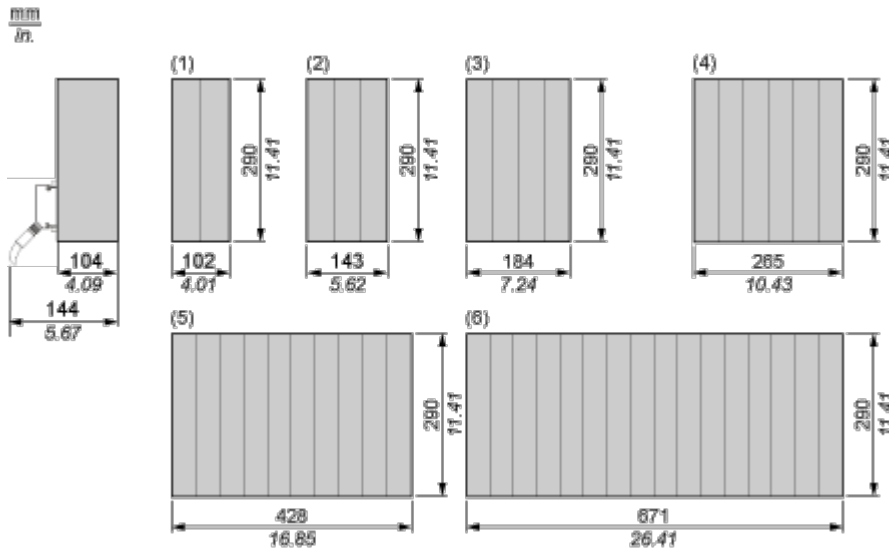
[EU RoHS Directive](#)

Pro-active compliance (Product out of EU RoHS legal scope)

Dimensions Drawings

Racks for Modules Mounting

Dimensions of Modules and Racks

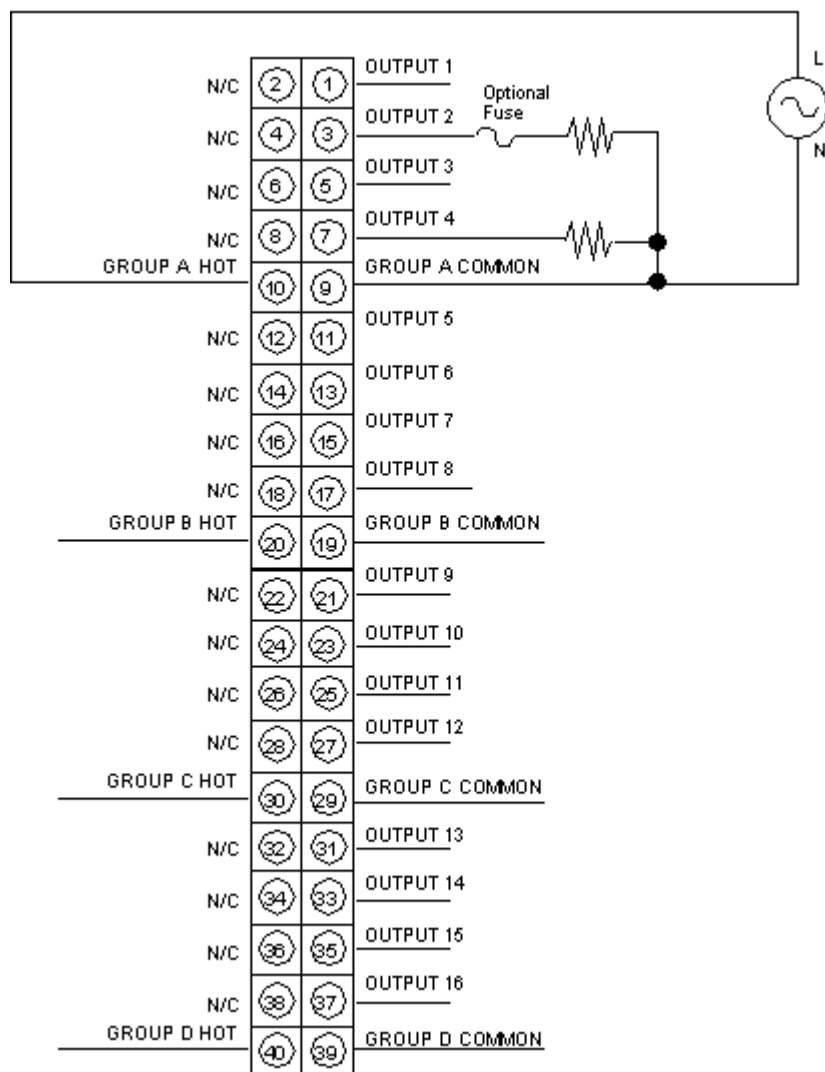


- (1) 2 slots
- (2) 3 slots
- (3) 4 slots
- (4) 6 slots
- (5) 10 slots
- (6) 16 slots

Connections and Schema

100...230 Vac Discrete Output Module

Wiring Diagram



N/C Not Connected