

Product datasheet

Specifications



distributed analog input Modicon Momentum - 4 Input

Local distributor code:

395517127

170AAI52040

EAN Code: 3389110886498

Main

Range of product	Modicon Momentum automation platform
Product or component type	Analogue input base
Analogue input number	4
Analogue input type	Differential
Analogue input range	+/- 100 mV 15 bits + sign > 10000 kOhm +/- 25 mV 15 bits + sign > 10000 kOhm
Thermocouple type	Thermocouple E Thermocouple S Thermocouple K Thermocouple N Thermocouple B Thermocouple R Thermocouple J Thermocouple T

Complementary

Data format	Full 16 bits signed
Absolute accuracy error	+/- 21 μ V 25 °C +/- 25 mV +/- 27 μ V 25 °C +/- 100 mV +/- 46 μ V 60 °C +/- 25 mV +/- 94 μ V 60 °C +/- 100 mV
Temperature probe type	Ni 100 0.125 mA +/- 25 mV Ni 1000 0.125 mA +/- 100 mV Pt 100 0.125 mA +/- 25 mV Pt 1000 0.125 mA +/- 100 mV
Update time	500 ms
Isolation between channels	400 V DC
Isolation between channels and ground	500 V AC for 1 minute
Isolation between supply and ground	500 V for 1 minute
Permissible common mode voltage	100 V DC between channels to ground 115 V AC single or three phases between channels 200 V DC between channels 250 V AC between channels to ground 250 V AC single phase between channels
Common mode rejection	120 dB DC between channels 130 dB 50 Hz AC between channels 135 dB DC between channels to ground 140 dB 60 Hz AC between channels 145 dB 50 Hz AC between channels to ground 155 dB 60 Hz AC between channels to ground
Serial mode rejection	35 dB 50 Hz AC 45 dB 60 Hz AC
External power requirement	+/- 30 V DC

Maximum power dissipation in W	5.5 W
Reverse polarity protection	Internal
Protection type	Internal 2 A slow-blow
Associated fuse rating	500 mA, fast blow
Marking	CE
Local signalling	4 LEDs for channel status
Electrical connection	2 connectors for removable terminal blocks
Current consumption	305 mA at 24 V DC
Depth	47.5 mm
Height	125 mm
Width	141.5 mm
Net weight	0.215 kg

Environment

Product certifications	FM Class 1 Division 2 CSA UL
Protective treatment	TC
Resistance to electrostatic discharge	4 kV contact conforming to IEC 801-2 8 kV on air conforming to IEC 801-2
Resistance to electromagnetic fields	10 V/m 80...1000 MHz conforming to IEC 801-3
Ambient air temperature for operation	0...60 °C
Ambient air temperature for storage	-40...85 °C
Relative humidity	95 % without condensation
Operating altitude	<= 5000 m

Packing Units

Unit Type of Package 1	PCE
Number of Units in Package 1	1
Package 1 Height	5.500 cm
Package 1 Width	17.800 cm
Package 1 Length	26.000 cm
Package 1 Weight	380.000 g
Unit Type of Package 2	S03
Number of Units in Package 2	10
Package 2 Height	30.000 cm
Package 2 Width	30.000 cm
Package 2 Length	40.000 cm
Package 2 Weight	4.458 kg

Logistical informations

Country of origin	FR
-------------------	----

Contractual warranty

Warranty

18 months

Environmental Data

Schneider Electric aims to achieve Net Zero status by 2050 through supply chain partnerships, lower impact materials, and circularity via our ongoing “Use Better, Use Longer, Use Again” campaign to extend product lifetimes and recyclability.

[Environmental Data explained >](#)

[How we assess product sustainability >](#)

Environmental footprint

[Environmental Disclosure](#)

[Product Environmental Profile](#)

Use Better

Materials and Substances

Packaging made with recycled cardboard

Yes

Packaging without single use plastic

No

[EU RoHS Directive](#)

Pro-active compliance (Product out of EU RoHS legal scope)

SCIP Number

441d5619-6318-4bbf-ac83-96d05888ee7e

REACH Regulation

[REACH Declaration](#)

Use Again

Repack and remanufacture

End of life manual availability

[End of Life Information](#)

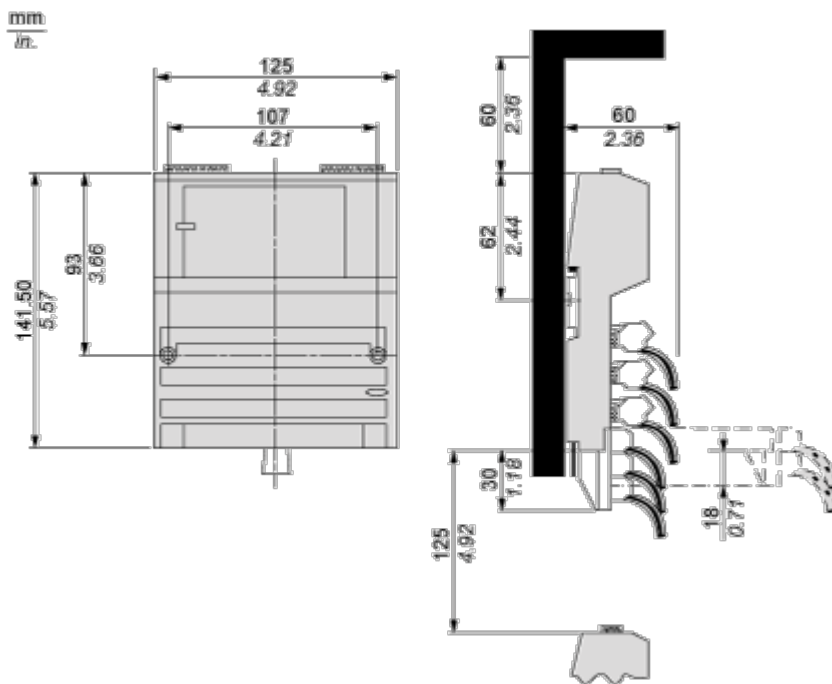
Take-back

No

Dimensions Drawings

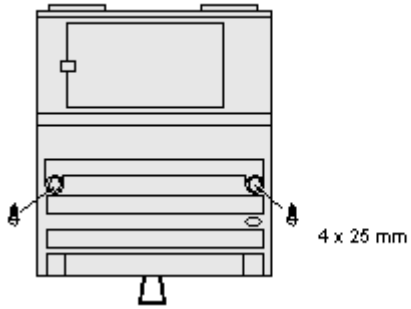
Standard Adapter on a Typical Base

Dimensions



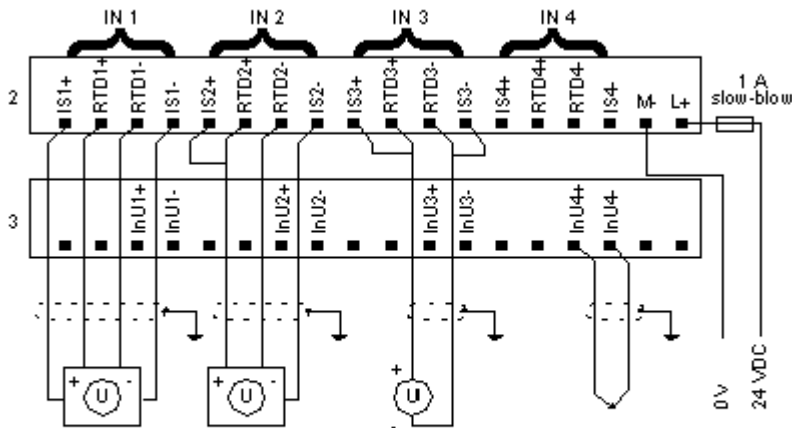
Mounting and Clearance

Mounting on a Wall



Connections and Schema

External Wiring Diagram



Examples

- * Channel 1,RTD input, 4 - wire configuration
- * Channel 2,RTD input, 3 - wire configuration
- * Channel 3,RTD input, 2 - wire configuration
- * Channel 4,thermocouple input

Internal Pin Connections

