

Product datasheet

Specifications



industrial touchscreen display - 12" - Multi-touch screen - 24 Vdc

HMIDID64DTD1

⚠ Discontinued on: 23 May 2023

⚠ To be end-of-service on: 31 Mar 2027

⚠ Discontinued

EAN Code: 3606480731099

Main

Range of product	Harmony iPC
Terminal type	Touchscreen display
Product or component type	Flat screen

Complementary

Display resolution	1024 x 768 pixels XGA
Display type	Colour TFT LCD
Luminance	100 cd/m ² 400 cd/m ²
Touch panel	Multi touch analogue resistive 1000000 cycles
Function available	Brightness sensor
Display size	12.1 inch
Aspect ratio	4:3
[Us] rated supply voltage	12...24 V DC power supply
Display colour	16 million colours
Provided equipment	1 cable 5 m for DVI-D 1 cable 5 m for USB type A 1 USB cable for mini B USB 2.0
Device mounting	Flush
Cut-out dimensions	301.5 (+ 1/- 0) x 227.5 (+ 1/- 0) mm
Width	315 mm
Height	241 mm
Net weight	3.9 kg

Environment

Standards	UL 508 ANSI/ISA 12-12-01 Class I division 2 CSA C22.2 No 213 CSA C22.2 No 142
Pollution degree	2
Product certifications	RCM EAC CE
NEMA degree of protection	NEMA 4X/13 front panel

Ambient air temperature for operation	0...60 °C conforming to IEC 61131-2
--	-------------------------------------

Shock resistance	147 m/s ² conforming to IEC 61131-2
-------------------------	--

Packing Units

Unit Type of Package 1	PCE
-------------------------------	-----

Number of Units in Package 1	1
-------------------------------------	---

Package 1 Height	21.7 cm
-------------------------	---------

Package 1 Width	33 cm
------------------------	-------

Package 1 Length	43 cm
-------------------------	-------

Package 1 Weight	5953 g
-------------------------	--------

Contractual warranty

Warranty	18 months
-----------------	-----------



Environmental Data

Schneider Electric aims to achieve Net Zero status by 2050 through supply chain partnerships, lower impact materials, and circularity via our ongoing “Use Better, Use Longer, Use Again” campaign to extend product lifetimes and recyclability.

[Environmental Data explained >](#)

[How we assess product sustainability >](#)

Environmental footprint

Total lifecycle Carbon footprint 762

Environmental Disclosure [Product Environmental Profile](#)

Use Better

Materials and Substances

F-gas free Only air and vacuum used for insulation / breaking, no F-gas including SF6

Packaging made with recycled cardboard Yes

Packaging without single use plastic No

[EU RoHS Directive](#) Pro-active compliance (Product out of EU RoHS legal scope)

SCIP Number 015d7290-b548-4647-b796-04cd484f0407

REACH Regulation [REACH Declaration](#)

Halogen-free status Product contains halogen above thresholds

PVC free No

Silicone-free No

Use Again

Repack and remanufacture

Recyclability potential, in % 58

End of life manual availability [End of Life Information](#)

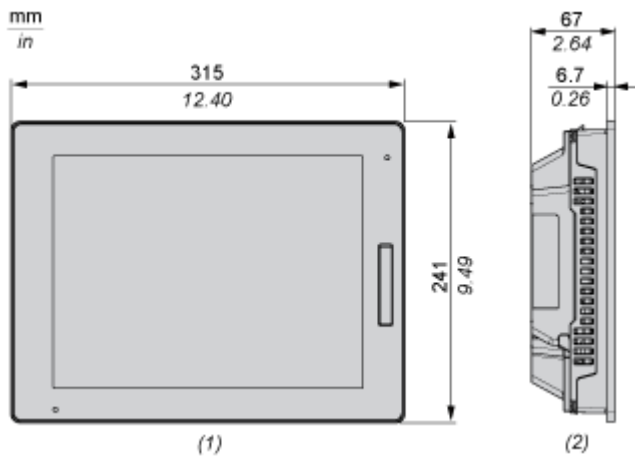
Take-back No

WEEE Label  The product must be disposed on European Union markets following specific waste collection and never end up in rubbish bins

Dimensions Drawings

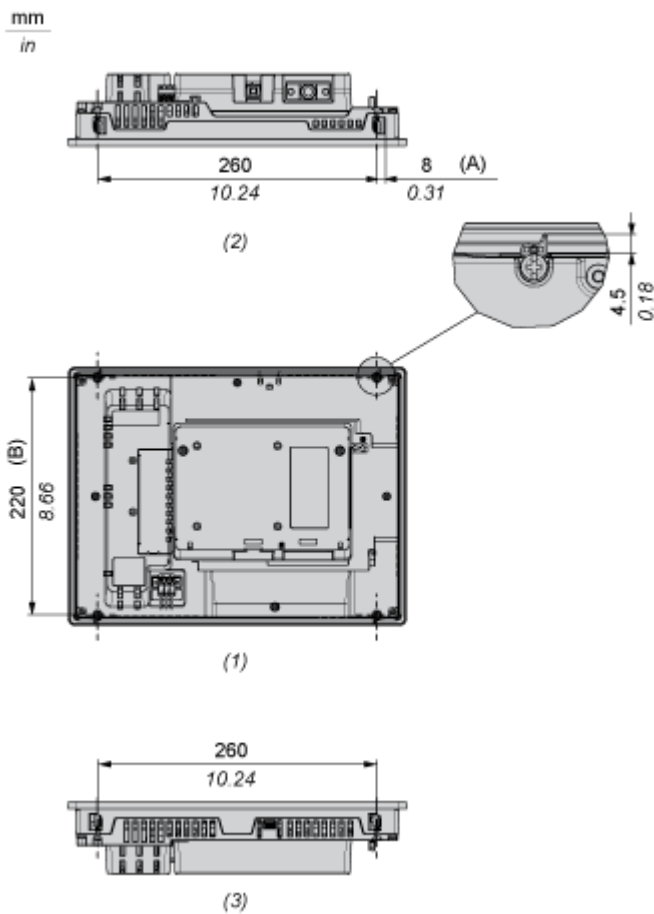
Dimensions

External Dimensions



- (1) Front
- (2) Left

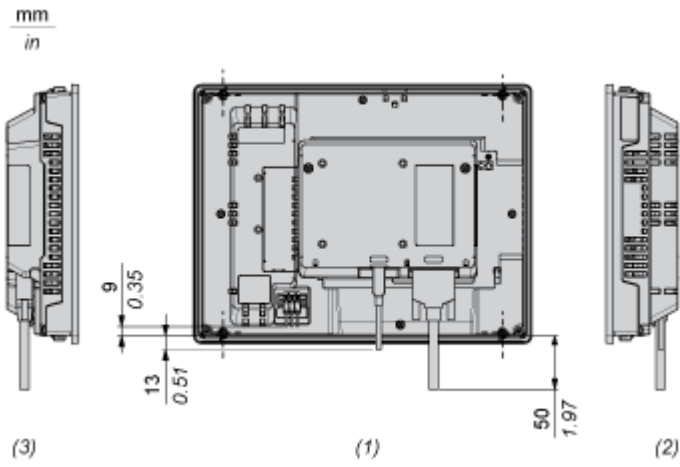
Installation with Installation Fasteners



- (A) Rotation area of the fastener

- (B) Pitch of the centre of installation fastener screws
- (1) Rear
- (2) Bottom
- (3) Top

Dimensions with Cables

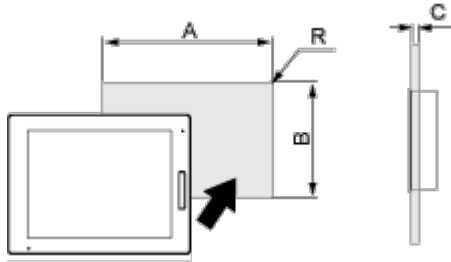


- (1) Rear
- (2) Right
- (3) Left

Mounting and Clearance

Mounting

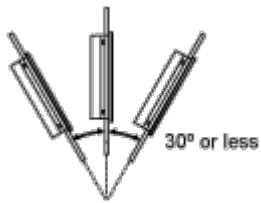
Panel Cut Dimensions



A		B		C		R	
mm	in.	mm	in.	mm	in.	mm	in.
301.5 (+1/-0)	11.87 (+0.04/-0)	227.5 (+1/-0)	8.96 (+0.04/-0)	1.6...5	0.06...0.2	3 max.	0.12 max.

Installation Requirements

Mounting Angle



When installing this product in a slanted position with an incline more than 30°, the ambient temperature must not exceed 40 °C (104 °F). You may need to use forced air cooling (fan, A/C) to ensure the ambient operating temperature is 40 °C or less (104 °F or less).

Clearance

