

Product datasheet

Specifications



Display PC Wide 19" multi-touch for HMIBM

HMIDM9521

⚠ To be discontinued on: 31 Dec 2025

⚠ To be end-of-service on: 30 Apr 2029

⚠ Discontinued - Service only

EAN Code: 3606480853685

Main

Range of product	Harmony iPC
Terminal type	Touchscreen display
Product or component type	Flat screen

Complementary

View angle horizontal x vertical	150 x 140°
Contrast ratio	500:1
Touchscreen resolution	4096 x 4096
Display resolution	1366 x 768 pixels WHD FWXGA
Display type	Colour TFT LCD LED
Luminance	300 cd/m ²
Touch panel	Multi-touch projected capacitive technology (PCT)
Function available	Operate with water on screen
Product compatibility	Modular Box PC
Display size	18.5 inch
Aspect ratio	16:9
[Us] rated supply voltage	24 V DC power supply 100...240 V AC power supply
Supply voltage limits	18...36 V
Display colour	16777216 colors
Pixel resolution	1366 x 768
Local signalling	Status LED
Inrush current	8.9 A
Device mounting	Flush
Width	488.3 mm
Height	309 mm
Net weight	5.2 kg

Environment

Standards	UL 60950 CSA C22.2 No 60950
-----------	--------------------------------

Pollution degree	2
Operating altitude	2000 m
Product certifications	EAC C-Tick CCC
NEMA degree of protection	NEMA 4X
Ambient air temperature for operation	0...55 °C

Packing Units

Unit Type of Package 1	PCE
Number of Units in Package 1	1
Package 1 Height	23.5 cm
Package 1 Width	61.5 cm
Package 1 Length	74.2 cm
Package 1 Weight	5.2 kg

Logistical informations

Country of origin	TW
--------------------------	----

Contractual warranty

Warranty	18 months
-----------------	-----------

Environmental Data

Schneider Electric aims to achieve Net Zero status by 2050 through supply chain partnerships, lower impact materials, and circularity via our ongoing “Use Better, Use Longer, Use Again” campaign to extend product lifetimes and recyclability.

[Environmental Data explained >](#)

[How we assess product sustainability >](#)

Environmental footprint

Total lifecycle Carbon footprint 1261

Environmental Disclosure [Product Environmental Profile](#)

Use Better

Materials and Substances

F-gas free Only air and vacuum used for insulation / breaking, no F-gas including SF6

Packaging made with recycled cardboard Yes

Packaging without single use plastic No

[EU RoHS Directive](#) Pro-active compliance (Product out of EU RoHS legal scope)

SCIP Number 5dc260f8-71ed-4cb7-a2e6-05d0987d6ab8

REACH Regulation [REACH Declaration](#)

Halogen-free status Product contains halogen above thresholds

PVC free No

Silicone-free No

Use Again

Repack and remanufacture

Recyclability potential, in % 39

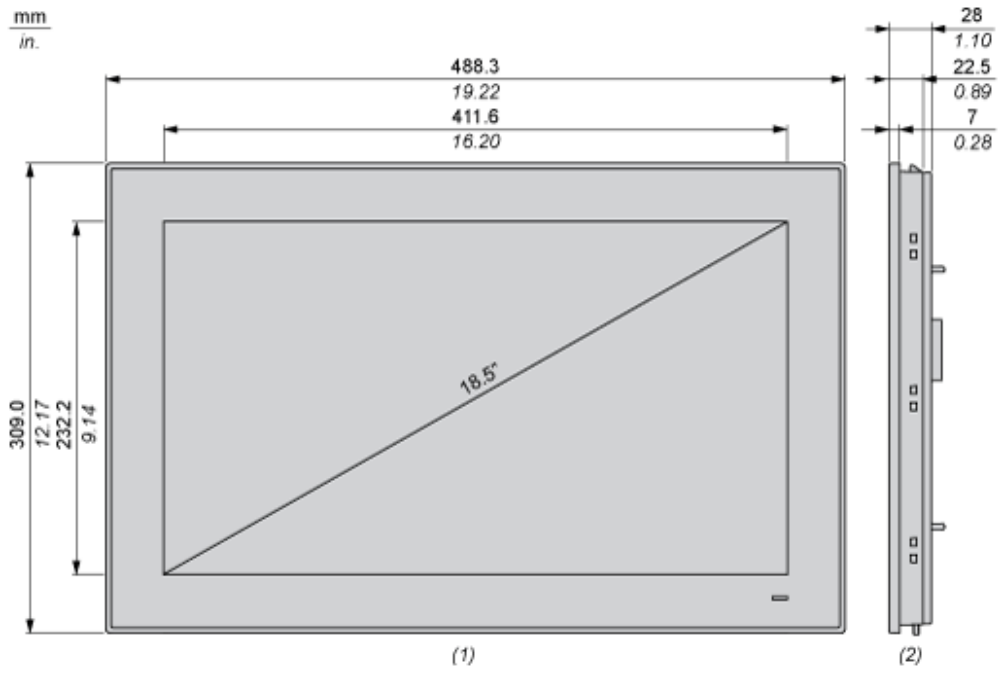
End of life manual availability [End of Life Information](#)

Take-back No

WEEE Label  The product must be disposed on European Union markets following specific waste collection and never end up in rubbish bins

Dimensions Drawings

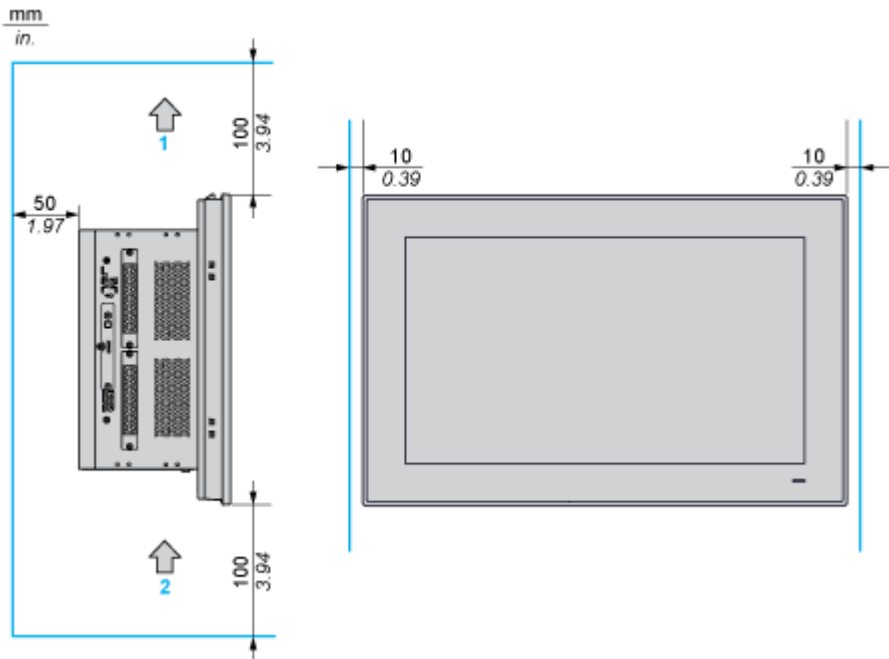
Dimensions



- (1) Front view
- (2) Right view

Mounting and Clearance

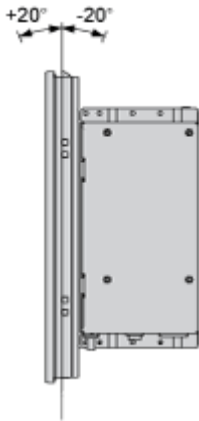
Spacing Requirements



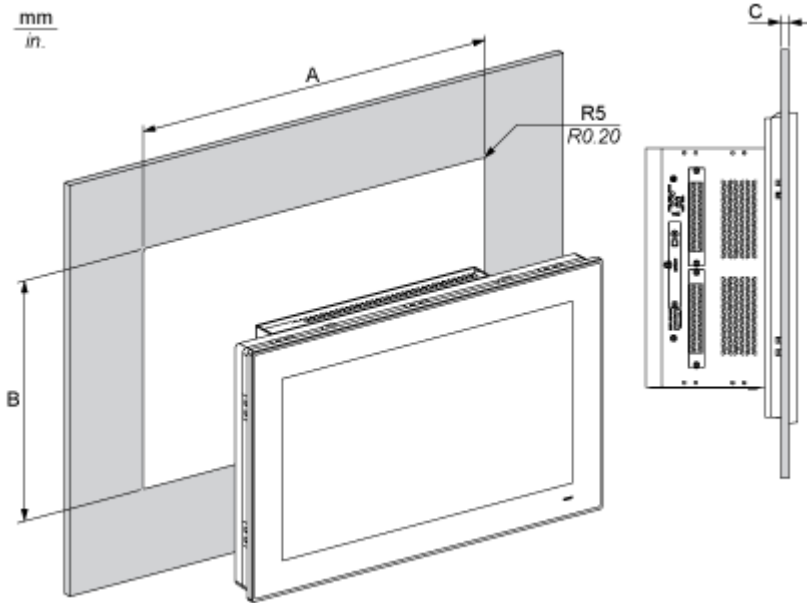
1 : Air out

2 : Air in

Mounting Orientation



Panel Cut Dimensions



A		B		C		R	
mm	in.	mm	in.	mm	in.	mm	in.
479.3	18.87	300.3	11.82	2...6	0.08...0.23	5	0.20