

Product datasheet

Specifications



Harmony GTUX Series eXtreme Display 7.0-inch Wide, Outdoor use, Rugged, Coated

HMIDT35X

EAN Code: 3606489747947

Main

Range of product	Harmony GTUX
Product or component type	EXtreme touchscreen panel
Terminal type	Touchscreen display
[Us] rated supply voltage	12 V DC power supply
Supply voltage limits	10.8...28.8 V
Power consumption in W	12.5 W
Inrush current	30 A

Complementary

Touchscreen resolution	1024 x 1024
Pixel resolution	800 x 480
Display size	7 inch
Aspect ratio	4:3
Display type	Colour TFT LCD
Display resolution	800 x 480 pixels WVGA
Display colour	262144 colors
Luminance	1000 cd/m ²
Touch panel	Single touch analogue resistive
Type of cooling	Natural convection
Cut-out dimensions	394 (+ 1/- 0) x 250 (+ 1/- 0) mm
Width	203.6 mm
Height	148.6 mm
Depth	37 mm
Net weight	1.3 kg

Environment

IP degree of protection	IP66f IP67f Front panel: Type 4X
Standards	UL 61010 UL 121201 Class I division 2 CSA C22.2 No 213 CSA C22.2 No 61010-1 IEC 61132-2

Product certifications	KC CE RCM EAC ATEX zone 2/22 IEC-Ex UL CSA UKCA UKEX
Ambient air temperature for operation	-30...65 °C
Ambient air temperature for storage	-30...70 °C
Pollution degree	2
Environmental characteristic	Corrosive gas free UV resistant
Relative humidity	10...90 % non-condensing
Operating altitude	2000 m
Vibration resistance	7 mm constant amplitude (f = 5...9 Hz) conforming to IEC 61131-2 19.6 m/s ² (f = 9...150 Hz) conforming to IEC 61131-2
Shock resistance	392 m/s ² conforming to IEC 61131-2
Electromagnetic compatibility	Electrostatic discharge immunity test level 3 conforming to IEC 61000-4-2

Packing Units

Unit Type of Package 1	PCE
Number of Units in Package 1	1
Package 1 Height	13.700 cm
Package 1 Width	21.500 cm
Package 1 Length	26.000 cm
Package 1 Weight	1.612 kg
Unit Type of Package 2	S04
Number of Units in Package 2	4
Package 2 Height	30.000 cm
Package 2 Width	40.000 cm
Package 2 Length	60.000 cm
Package 2 Weight	7.548 kg
Unit Type of Package 3	P06
Number of Units in Package 3	16
Package 3 Height	75.000 cm
Package 3 Width	60.000 cm
Package 3 Length	80.000 cm
Package 3 Weight	43.000 kg

Logistical informations

Country of origin	CN
--------------------------	----

Contractual warranty

Warranty	18 months
-----------------	-----------



Environmental Data

Schneider Electric aims to achieve Net Zero status by 2050 through supply chain partnerships, lower impact materials, and circularity via our ongoing “Use Better, Use Longer, Use Again” campaign to extend product lifetimes and recyclability.

[Environmental Data explained >](#)

[How we assess product sustainability >](#)

Environmental footprint

Total lifecycle Carbon footprint 588

Environmental Disclosure [Product Environmental Profile](#)

Use Better

Materials and Substances

F-gas free Only air and vacuum used for insulation / breaking, no F-gas including SF6

Packaging made with recycled cardboard Yes

Packaging without single use plastic No

[EU RoHS Directive](#) Pro-active compliance (Product out of EU RoHS legal scope)

SCIP Number Bec78d47-e62d-44d7-8e6f-c4f5bb86ee60

REACH Regulation [REACH Declaration](#)

Halogen-free status Product contains halogen above thresholds

PVC free No

Silicone-free No

Use Again

Repack and remanufacture

End of life manual availability [End of Life Information](#)

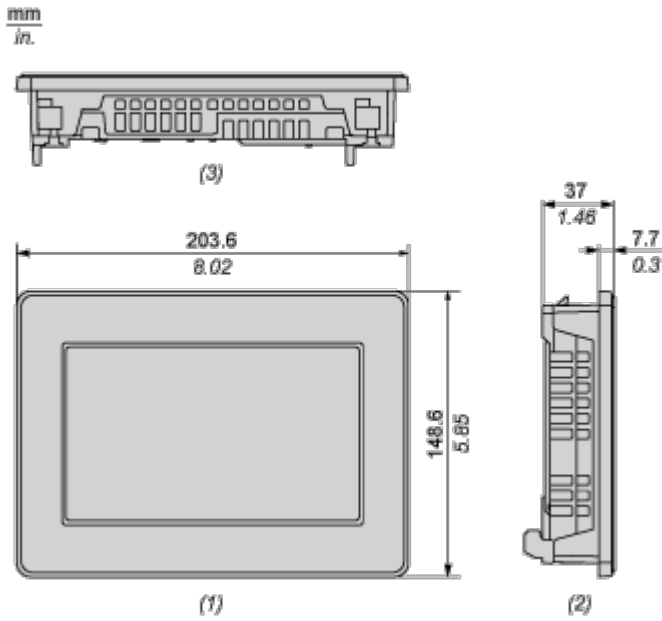
Take-back No

WEEE Label  The product must be disposed on European Union markets following specific waste collection and never end up in rubbish bins

Dimensions Drawings

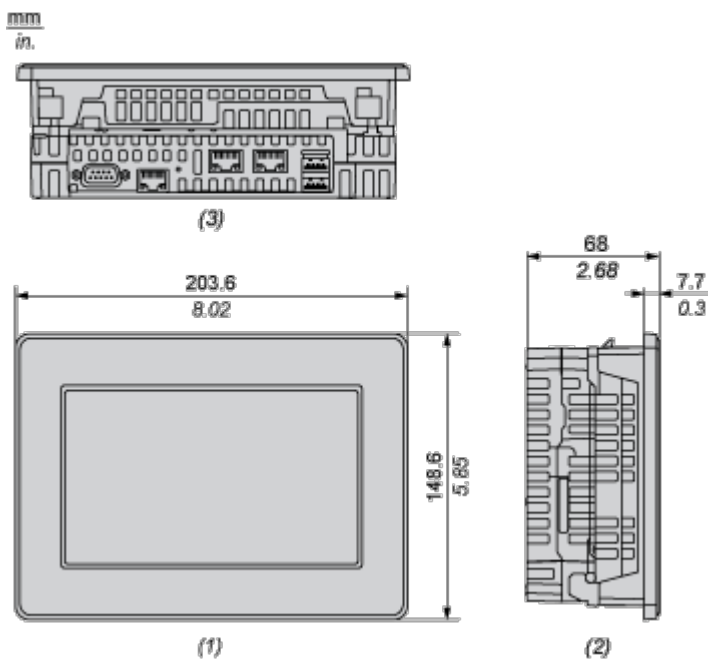
External Dimensions

Display Unit



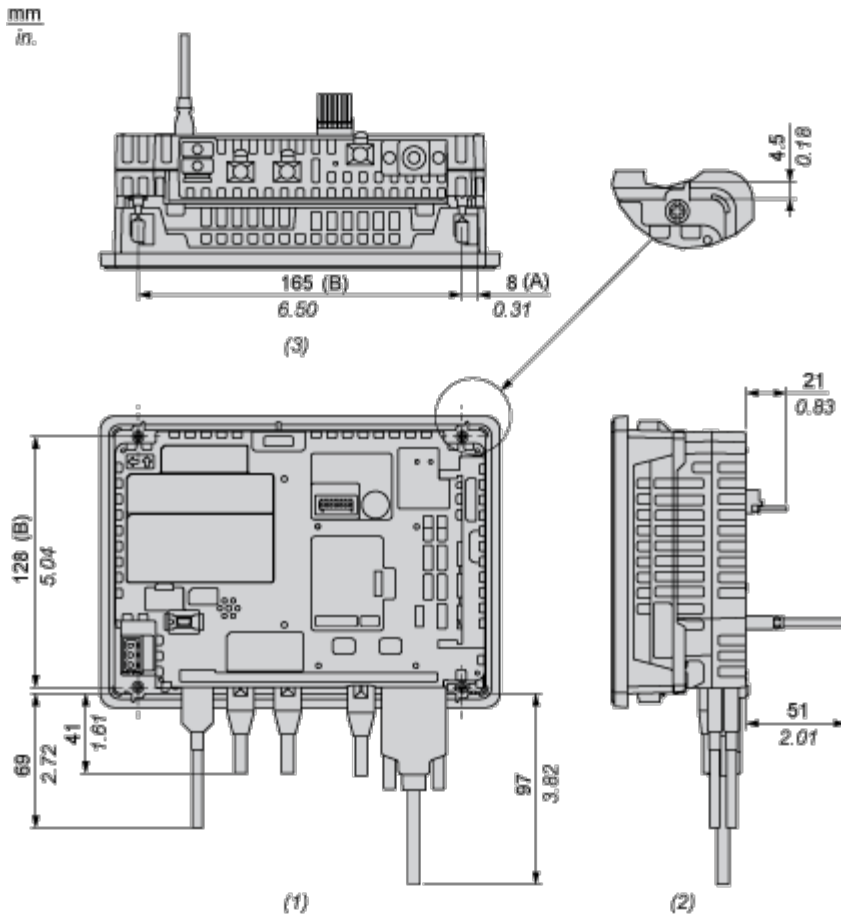
- 1 : Front
- 2 : Left
- 3 : Bottom

Display Unit with Box Module



- 1 : Front
- 2 : Left
- 3 : Bottom

Dimensions with Cables

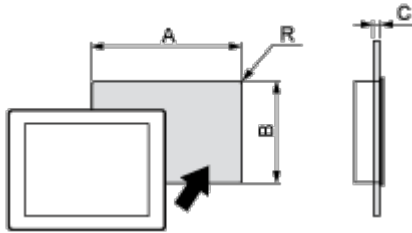


- (A) : Rotation area of the fastener
- (B) : Pitch of the enter of installation fastener screws
- 1 : Rear
- 2 : Right
- 3 : Bottom

Mounting and Clearance

Mounting and Clearance

Panel Cut Dimensions



Dimensions in mm

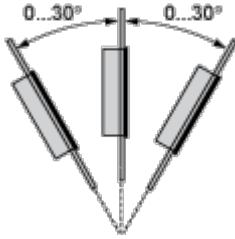
A	B	C	R
190 (+1/-0)	135 (+1/-0)	1.6...5	3 max.

Dimensions in in.

A	B	C	R
7.48 (+0.04/-0)	5.31 (+0.04/-0)	0.06...0.2	0.12 max.

Installation Requirements

Mounting Angle



When installing this product in a slanted position, the product face should not incline more than 30°.

Clearance

