

# Product datasheet

Specifications



## 19W Touch Smart Display FWXGA

Local distributor code:

408896256

HMIDT952

**EAN Code: 3606481203472**

### Main

Range of product	Harmony GTU
Product or component type	Flat screen
Terminal type	Touchscreen display
[Us] rated supply voltage	12...24 V DC power supply
Supply voltage limits	10.8...28.8 V
Power consumption in W	19 W
Inrush current	30 A

### Complementary

Integrated connection type	USB 2.0 type A USB 2.0 type mini B
Touchscreen resolution	2048 x 2048
Pixel resolution	1366 x 768
Display size	18.5 inch
Aspect ratio	4:3
Display type	Colour TFT LCD
Display resolution	1366 x 768 pixels FWXGA
Display colour	16 million colours
Backlight lifespan	50000 hours
Touch panel	Multi-touch projected capacitive technology (PCT) 50000000 cycles
Function available	Brightness sensor
Type of cooling	Natural convection
Type of installation	Indoor installation
Cut-out dimensions	465 (+ 1/- 0) x 319 (+ 1/- 0) mm
Width	483 mm
Height	337 mm
Depth	69 mm
Net weight	6.8 kg

### Environment

IP degree of protection	Front panel: IP66 Front panel: IP67
-------------------------	--

<b>NEMA degree of protection</b>	NEMA 4X front panel
<b>Standards</b>	UL 508 ANSI/ISA 12-12-01 Class I division 2 CSA C22.2 No 213 CSA C22.2 No 142 IEC 61132-2
<b>Product certifications</b>	RCM CULus CE KC
<b>Ambient air temperature for operation</b>	0...55 °C conforming to IEC 61131-2
<b>Ambient air temperature for storage</b>	-20...60 °C
<b>Relative humidity</b>	10...90 % non-condensing
<b>Operating altitude</b>	2000 m
<b>Vibration resistance</b>	3.5 mm constant amplitude (f = 5...9 Hz) conforming to IEC 61131-2 9.8 m/s <sup>2</sup> (f = 9...150 Hz) conforming to IEC 61131-2
<b>Shock resistance</b>	147 m/s <sup>2</sup> conforming to IEC 61131-2
<b>Electromagnetic compatibility</b>	Electrostatic discharge immunity test level 3 conforming to IEC 61000-4-2

## Packing Units

<b>Unit Type of Package 1</b>	PCE
<b>Number of Units in Package 1</b>	1
<b>Package 1 Height</b>	18.800 cm
<b>Package 1 Width</b>	50.000 cm
<b>Package 1 Length</b>	61.500 cm
<b>Package 1 Weight</b>	7.890 kg
<b>Unit Type of Package 2</b>	P12
<b>Number of Units in Package 2</b>	2
<b>Package 2 Height</b>	36.000 cm
<b>Package 2 Width</b>	80.000 cm
<b>Package 2 Length</b>	120.000 cm
<b>Package 2 Weight</b>	27.000 kg

## Logistical informations

<b>Country of origin</b>	ID
--------------------------	----

## Contractual warranty

<b>Warranty</b>	18 months
-----------------	-----------



## Environmental Data

Schneider Electric aims to achieve Net Zero status by 2050 through supply chain partnerships, lower impact materials, and circularity via our ongoing “Use Better, Use Longer, Use Again” campaign to extend product lifetimes and recyclability.

[Environmental Data explained >](#)

[How we assess product sustainability >](#)

### Environmental footprint

Total lifecycle Carbon footprint 1177

Environmental Disclosure [Product Environmental Profile](#)

## Use Better

### Materials and Substances

F-gas free Only air and vacuum used for insulation / breaking, no F-gas including SF6

Packaging made with recycled cardboard Yes

Packaging without single use plastic No

[EU RoHS Directive](#) Pro-active compliance (Product out of EU RoHS legal scope)

SCIP Number F7bde1f0-e6bc-4b91-91d2-88584de513eb

REACH Regulation [REACH Declaration](#)

Halogen-free status Product contains halogen above thresholds

PVC free No

Silicone-free No

## Use Again

### Repack and remanufacture

Recyclability potential, in % 55

End of life manual availability [End of Life Information](#)

Take-back No

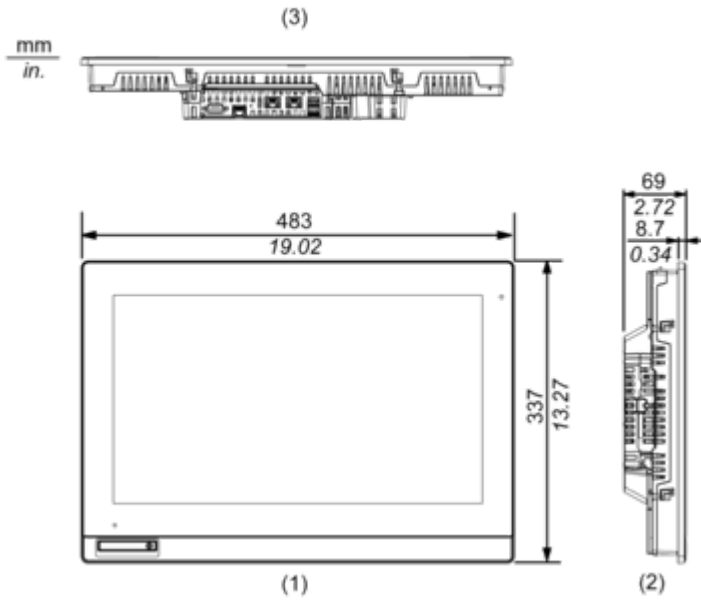
WEEE Label  The product must be disposed on European Union markets following specific waste collection and never end up in rubbish bins

Dimensions Drawings

External Dimensions

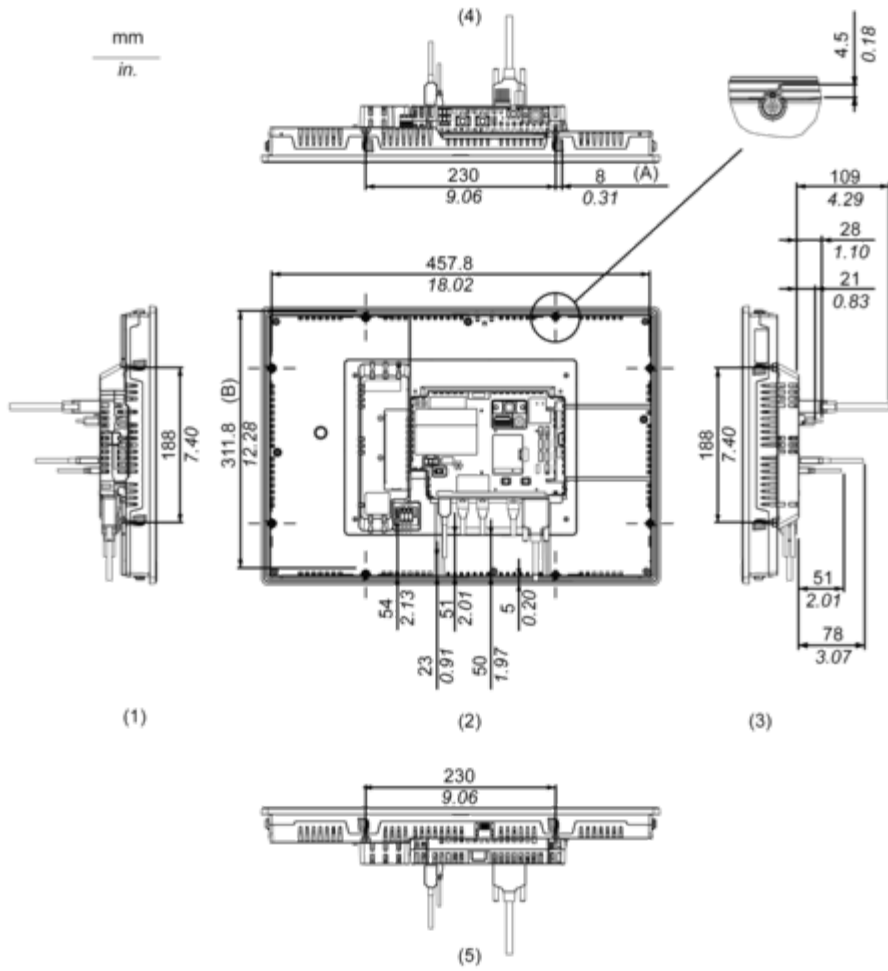
---

Display Unit with Box Module



- (1) Front
- (2) Left
- (3) Bottom

Installation with Installation Fasteners and Dimensions with Cables

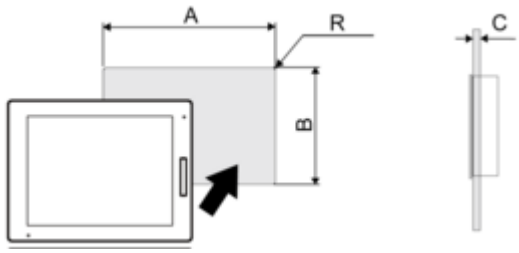


- (A) Rotation area of the fastener
- (B) Pitch of the center of installation fastner screws
- (1) Right
- (2) Front
- (3) Left
- (4) Bottom
- (5) Top

Mounting and Clearance

Panel Cut Dimensions

---



Dimensions in mm

A	B	C	R
465 (+1/-0)	319 (+1/-0)	1.6...5	3 max.

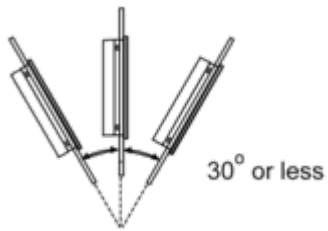
Dimensions in in.

A	B	C	R
18.31 (+0.04/-0)	12.56 (+0.04/-0)	0.06...0.2	0.12 max.

## Installation Requirements

---

### Mounting Angle



When installing this product in a slanted position with an incline more than 30°, the ambient temperature must not exceed 40 °C (104 °F). You may need to use forced air cooling (fan, A/C) to ensure the ambient operating temperature is 40 °C or less (104 °F or less).

Clearance

---

