

Product datasheet

Specifications



PLAIN DOOR W600 18M PRISMA G IP30

LVS08126

EAN Code: 3606481879042

Main

Range	PrismaSeT
Range of product	PrismaSeT G
Product or component type	Door
Range compatibility	PrismaSeT PrismaSeT G enclosure
Provided equipment	door handle keylock (key 405) other keylock and insert to be ordered separately 2 hinge
type of door	Plain
IP degree of protection	IP43 with door, canopy and IP43 gasket IP30 without door IP40 with door IP41 with door and canopy

Complementary

installation description	Wall-mounted enclosure - width 600 mm Extension enclosure - width 600 mm
Door opening side	Reversible
Number of locks	2
door opening angle	130 °
Number of vertical modules [50 mm]	18
Enclosure material	Handle: polyamide Cover frame: treated sheet steel
Quantity per set	Set of 1
Height	930 mm
Width	600 mm
Depth	36 mm
Net weight	6.12 kg
Surface finish	Matt Textured
Colour	White (RAL 9003)

Environment

IK degree of protection	IK08 conforming to EN/IEC 62262
Standards	IEC 61439-2 IEC 61439-1

Protective treatment	Electrophoresis treatment and hot-polymerised polyester epoxy powder
----------------------	--

Packing Units

Unit Type of Package 1	PCE
------------------------	-----

Number of Units in Package 1	1
------------------------------	---

Package 1 Height	7.000 cm
------------------	----------

Package 1 Width	64.000 cm
-----------------	-----------

Package 1 Length	99.500 cm
------------------	-----------

Package 1 Weight	8.018 kg
------------------	----------

Unit Type of Package 2	P12
------------------------	-----

Number of Units in Package 2	12
------------------------------	----

Package 2 Height	98.000 cm
------------------	-----------

Package 2 Width	80.000 cm
-----------------	-----------

Package 2 Length	120.000 cm
------------------	------------

Package 2 Weight	107.000 kg
------------------	------------

Logistical informations

Country of origin	FR
-------------------	----

Contractual warranty

Warranty	18 months
----------	-----------

Environmental Data

Schneider Electric aims to achieve Net Zero status by 2050 through supply chain partnerships, lower impact materials, and circularity via our ongoing “Use Better, Use Longer, Use Again” campaign to extend product lifetimes and recyclability.

[Environmental Data explained >](#)

[How we assess product sustainability >](#)

Environmental footprint

[Environmental Disclosure](#)

[Product Environmental Profile](#)

Use Better

Materials and Substances

Packaging made with recycled cardboard

Yes

Packaging without single use plastic

Yes

[EU RoHS Directive](#)

Compliant with Exemptions

SCIP Number

5868427b-f1fb-44fa-a499-b68313ef1f4e

REACH Regulation

[REACH Declaration](#)

Halogen-free status

Halogen free plastic parts product

PVC free

Yes

Silicone-free

Yes

Use Again

Repack and remanufacture

End of life manual availability

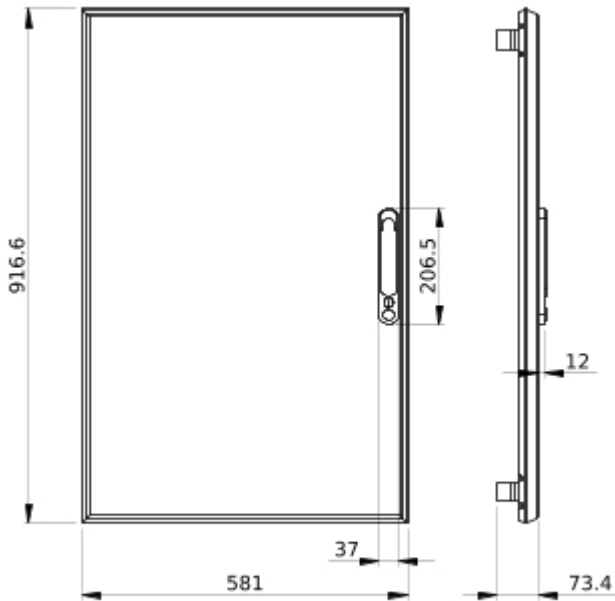
No need of specific recycling operations

Take-back

No

Technical Illustration

Dimensions



- All dimensions are approximate and are in mm
- Also see technical documentation.