

# Product datasheet

Specifications



## basic digital output module STB - 24 V DC - 16 O

STBDDO3705

EAN Code: 3595863843460

### Main

Range of product	Modicon STB distributed I/O solution
Product or component type	Basic digital output module
Product compatibility	Power distribution module STBPDT3100/3105 I/O base STBXBA3000
Range compatibility	Logic/motion controller - Modicon M262 Modicon M580 Third party
Device application	Industrial application
Discrete output number	16
Discrete output logic	Positive logic (source)
Discrete output voltage	24 V DC for solid state

### Complementary

Discrete output number	16 solid state at 24 V DC
Discrete output current	500 mA
Response time on output	< 10 ms maximum (turn on) < 10 ms maximum (turn off)
Maximum leakage current	0.4 mA 30 V DC at state 0
Typical current consumption	135 mA at 5 V DC
Electrical connection	Screw terminal
Hot swapping fallback	No for basic NIMs
Height	13.9 mm
Width	128.3 mm
Depth	70 mm
Net weight	0.086 kg

### Environment

IP degree of protection	IP20
Marking	CE
Product certifications	UL CSA FM Class 1 Division 2
Standards	IEC 61131-2
Relative humidity	95 % at 60 °C without condensation

---

Operating altitude	<= 2000 m
Pollution degree	2
Shock resistance	30 gn for 11 ms conforming to IEC 88 reference 2-27

---

## Packing Units

---

Unit Type of Package 1	PCE
Number of Units in Package 1	1
Package 1 Height	3.05 cm
Package 1 Width	6.6 cm
Package 1 Length	12.95 cm
Package 1 Weight	100 g
Unit Type of Package 2	S02
Number of Units in Package 2	48
Package 2 Height	15 cm
Package 2 Width	30 cm
Package 2 Length	40 cm
Package 2 Weight	5.322 kg
Unit Type of Package 3	P06
Number of Units in Package 3	768
Package 3 Height	75.0 cm
Package 3 Width	60.0 cm
Package 3 Length	80.0 cm
Package 3 Weight	95.1 kg

---

## Logistical informations

---

Country of origin	ID
-------------------	----

---

## Contractual warranty

---

Warranty	18 months
----------	-----------

---


## Environmental Data

Schneider Electric aims to achieve Net Zero status by 2050 through supply chain partnerships, lower impact materials, and circularity via our ongoing "Use Better, Use Longer, Use Again" campaign to extend product lifetimes and recyclability.

[Environmental Data explained >](#)

[How we assess product sustainability >](#)

### Use Better

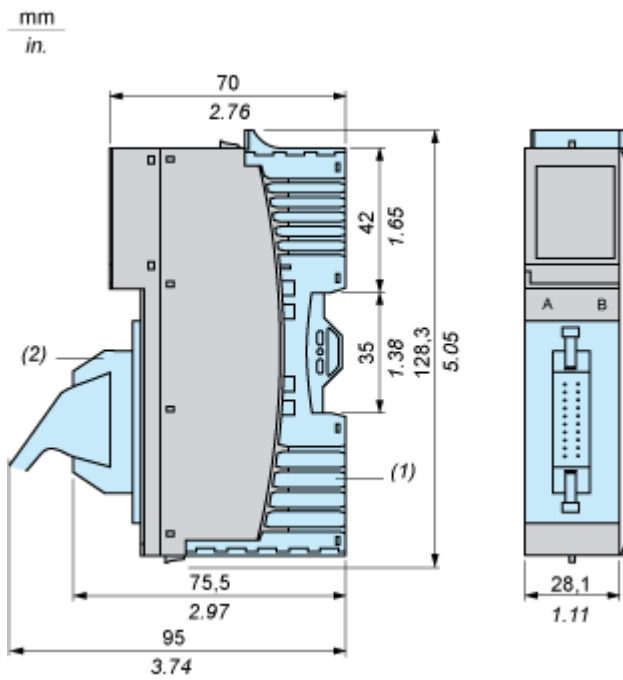
 <b>Materials and Substances</b>	
Packaging made with recycled cardboard	No
Packaging without single use plastic	Yes
<a href="#">EU RoHS Directive</a>	Pro-active compliance (Product out of EU RoHS legal scope)
SCIP Number	6830dd70-e4bc-47df-85c7-e41f888576f4
REACH Regulation	<a href="#">REACH Declaration</a>

### Use Again

 <b>Repack and remanufacture</b>	
Take-back	No

Dimensions Drawings

Dimensions



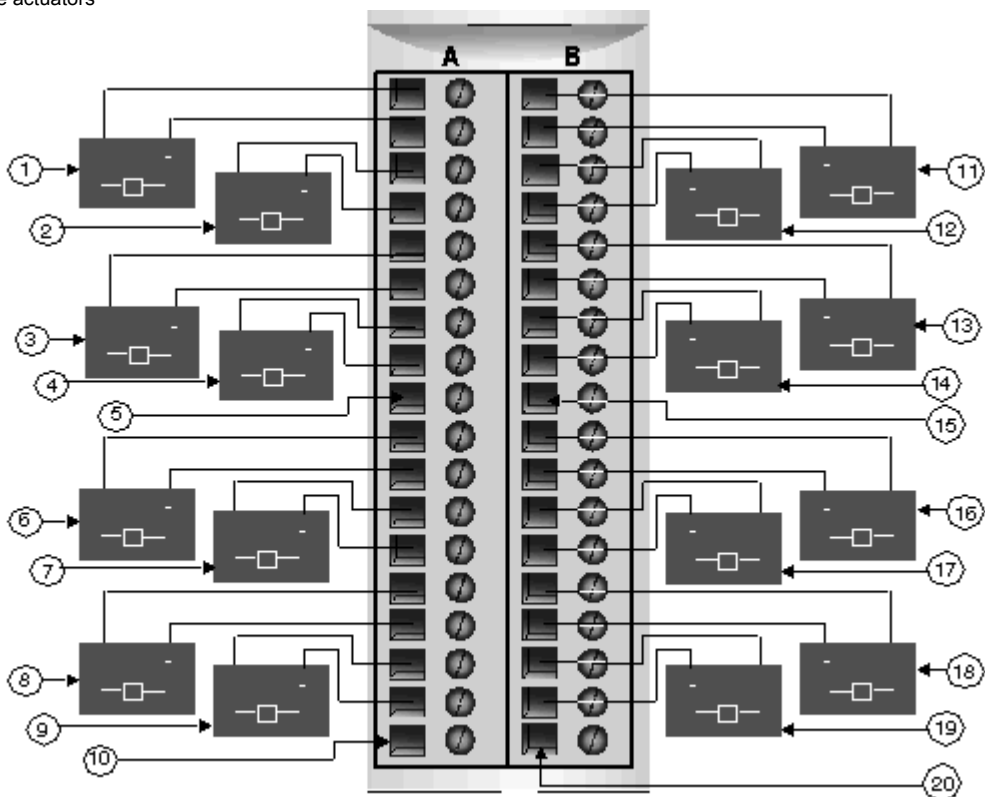
- (1) STBXBA3000 base (to be ordered separately)
- (2) STBXTS5510/5610/6510/6610 connector (to be ordered separately)

Connections and Schema

Wiring Diagram

Example

16 two-wire actuators



#	Group 1	#	Group 2
1	Channel 1, Connector A, Actuator	11	Channel 1, Connector B, Actuator
2	Channel 2, Connector A, Actuator	12	Channel 2, Connector B, Actuator
3	Channel 3, Connector A, Actuator	13	Channel 3, Connector B, Actuator
4	Channel 4, Connector A, Actuator	14	Channel 4, Connector B, Actuator
5	Pin 9, Connector A (not used)	15	Pin 9, Connector B (not used)
6	Channel 5, Connector A, Actuator	16	Channel 5, Connector B, Actuator
7	Channel 6, Connector A, Actuator	17	Channel 6, Connector B, Actuator
8	Channel 7, Connector A, Actuator	18	Channel 7, Connector B, Actuator
9	Channel 8, Connector A, Actuator	19	Channel 8, Connector B, Actuator
10	Pin 18, Connector A (not used)	20	Pin 18, Connector B (not used)