

Product datasheet

Specifications



standard digital output kit STB - 24 V 115..230 V AC DC - 2 O

Local distributor code:
389839170

STBDRC3210K

EAN Code: 3595863949162

Main

Range of product	Modicon STB distributed I/O solution
Product or component type	Standard digital output kit
Kit composition	STBXTS2110, 5-terminal spring clamp connector STBXTS1100, 5-terminal screw type connector STBXBA3000 base STBDRC3210 module
Product compatibility	I/O base STBXBA2000 Power distribution module STBPDT3100/3105
Range compatibility	Logic/motion controller - Modicon M262 Modicon M580 Third party
Device application	Industrial application
Discrete output number	2
Discrete output logic	Positive logic (source)/negative logic (sink)
Discrete output voltage	24 V AC for relay 115...230 V DC

Complementary

Discrete output number	2 relay at 24 V AC at 115...230 V DC
Discrete output current	2000 mA
Response time on output	< 10 ms maximum (turn on) < 10 ms maximum (turn off)
Typical current consumption	55 mA at 5 V DC
Electrical connection	Screw terminal
Hot swapping fallback	Yes for standard NIMs
Height	18.4 mm
Width	128.3 mm
Depth	70 mm
Net weight	0.13 kg

Environment

IP degree of protection	IP20
Marking	CE
Product certifications	FM Class 1 Division 2 CSA UL

Standards	IEC 61131-2
Relative humidity	95 % at 60 °C without condensation
Operating altitude	<= 2000 m
Pollution degree	2
Shock resistance	30 gn for 11 ms conforming to IEC 88 reference 2-27

Packing Units

Unit Type of Package 1	PCE
Number of Units in Package 1	1
Package 1 Height	2.700 cm
Package 1 Width	7.600 cm
Package 1 Length	13.000 cm
Package 1 Weight	150.000 g
Unit Type of Package 2	S02
Number of Units in Package 2	28
Package 2 Height	15.000 cm
Package 2 Width	30.000 cm
Package 2 Length	40.000 cm
Package 2 Weight	4.617 kg

Logistical informations

Country of origin	FR
--------------------------	----

Contractual warranty

Warranty	18 months
-----------------	-----------

Environmental Data

Schneider Electric aims to achieve Net Zero status by 2050 through supply chain partnerships, lower impact materials, and circularity via our ongoing “Use Better, Use Longer, Use Again” campaign to extend product lifetimes and recyclability.

[Environmental Data explained >](#)

[How we assess product sustainability >](#)

Environmental footprint

Total lifecycle Carbon footprint 21

Environmental Disclosure [Product Environmental Profile](#)

Use Better

Materials and Substances

Packaging made with recycled cardboard No

Packaging without single use plastic No

[EU RoHS Directive](#) Pro-active compliance (Product out of EU RoHS legal scope)

SCIP Number 6830dd70-e4bc-47df-85c7-e41f888576f4

REACH Regulation [REACH Declaration](#)

Use Again

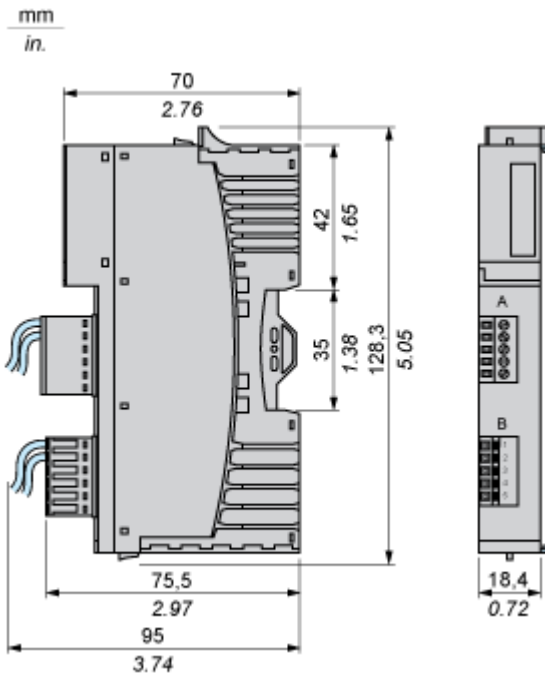
Repack and remanufacture

End of life manual availability [End of Life Information](#)

Take-back No

Dimensions Drawings

Dimensions

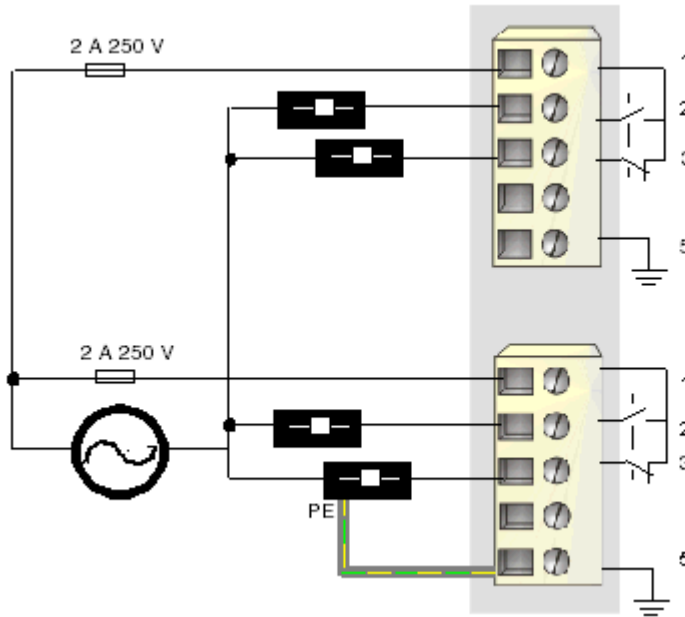


Connections and Schema

Wiring Diagrams

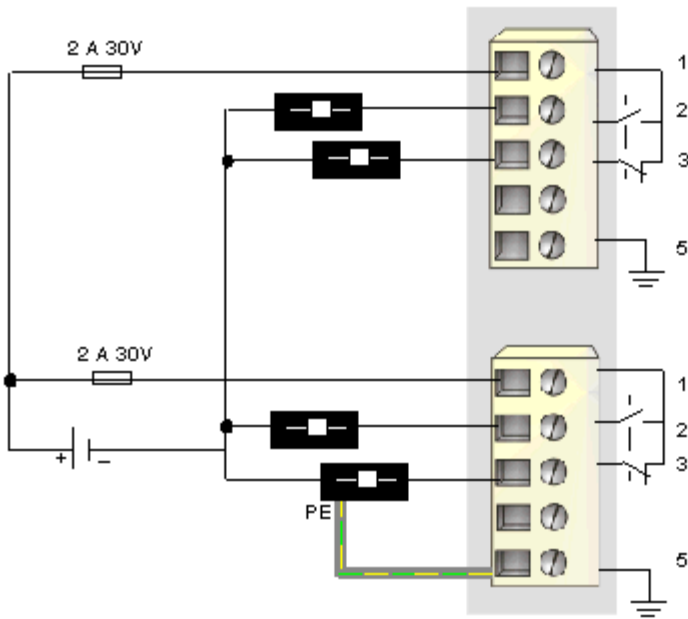
Examples

4 two-wire actuators, external AC power supply



Pin	Top Connector	Bottom Connector
1	relay common 1	relay common 2
2	N.O. connection for relay 1	N.O. connection for relay 2
3	N.C. connection for relay 1	N.C. connection for relay 2
4	no connection	no connection
5	PE	PE

4 two-wire actuators, external DC power supply



Pin	Top Connector	Bottom Connector
1	relay common 1	relay common 2
2	N.O. connection for relay 1	N.O. connection for relay 2
3	N.C. connection for relay 1	N.C. connection for relay 2
4	no connection	no connection
5	PE	PE