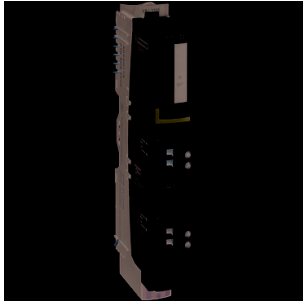


Product datasheet

Specifications



standard power distribution kit STB - 24 V DC

Local distributor code:
389839361

STBPDT3100K

EAN Code: 3595863949216

Main

Range of product	Modicon STB distributed I/O solution
Product or component type	Standard power distribution kit
Kit composition	STBXTS2130, spring type connectors STBPDT3100 module STBXBA2200 base STBXTS1130, screw type connectors
Product compatibility	Mounting base STBXBA2200

Complementary

Hot swapping fallback	Hot swapping illegal
Height	125 mm
Width	18.4 mm
Depth	65.1 mm
Net weight	0.13 kg

Environment

Marking	CE
Relative humidity	95 % at 60 °C without condensation

Packing Units

Unit Type of Package 1	PCE
Number of Units in Package 1	1
Package 1 Height	2.5 cm
Package 1 Width	8.5 cm
Package 1 Length	14.0 cm
Package 1 Weight	150.0 g
Unit Type of Package 2	S02
Number of Units in Package 2	24
Package 2 Height	15 cm
Package 2 Width	30 cm
Package 2 Length	40 cm
Package 2 Weight	4.026 kg
Unit Type of Package 3	P06

Number of Units in Package 3	384
Package 3 Height	75.0 cm
Package 3 Width	60.0 cm
Package 3 Length	80.0 cm
Package 3 Weight	75.52 kg

Logistical informations

Country of origin	ID
--------------------------	----

Contractual warranty

Warranty	18 months
-----------------	-----------


Environmental Data

Schneider Electric aims to achieve Net Zero status by 2050 through supply chain partnerships, lower impact materials, and circularity via our ongoing "Use Better, Use Longer, Use Again" campaign to extend product lifetimes and recyclability.

[Environmental Data explained >](#)

[How we assess product sustainability >](#)

Use Better

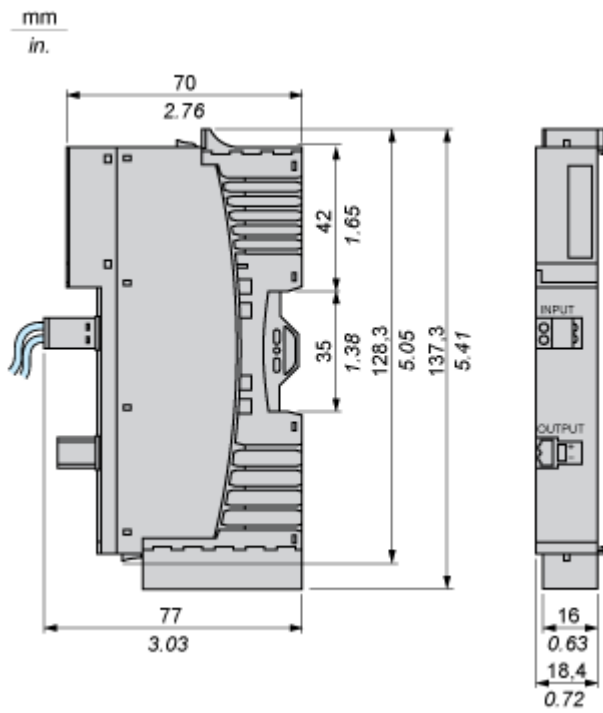
 Materials and Substances	
Packaging made with recycled cardboard	No
Packaging without single use plastic	No
EU RoHS Directive	Pro-active compliance (Product out of EU RoHS legal scope)
SCIP Number	6830dd70-e4bc-47df-85c7-e41f888576f4
REACH Regulation	REACH Declaration

Use Again

 Repack and remanufacture	
Take-back	No

Dimensions Drawings

Dimensions

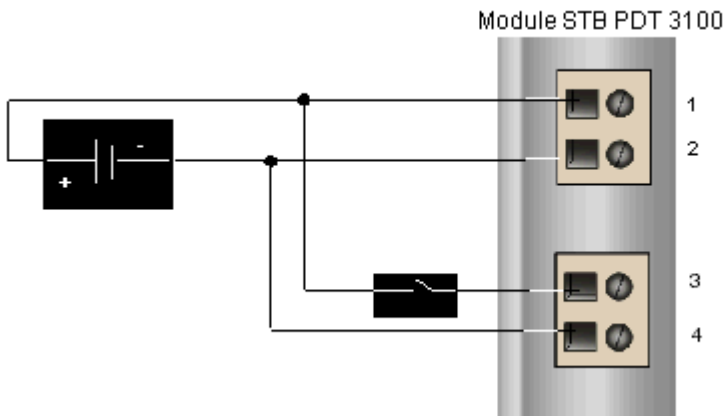


Connections and Schema

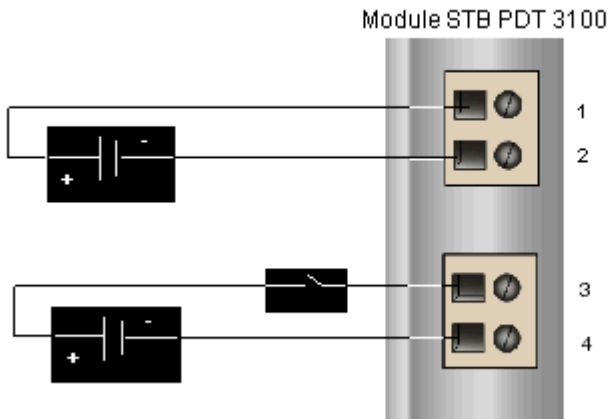
Wiring Diagrams

Examples

Single power supply



Separated power supplies



Pin	Top Connector	Bottom Connector
1	+24 VDC for the sensor bus	+24 VDC for the sensor bus
2	-24 VDC sensor power return	-24 VDC actuator power return

Performance Curves

Performance Curve

