

Product datasheet

Specifications



I/O distributed module, Modicon TM3, IP20 Optimized Bus Coupler Ethernet Interface

TM3BCEIP

EAN Code: 3606489703530

Main

Range of product	Modicon TM3
Product compatibility	Logic controller Motion controller
Product or component type	I/O distributed module
Product specific application	Bus coupler module

Complementary

Communication port protocol	Ethernet IP/Modbus TCP
Connector type	RJ45 2 Ethernet daisy chain isolated USB device port Mini-B
Exchange mode	Half duplex, full duplex, autonegotiation
Transmission rate	10/100 Mbit/s
Topology	Daisy chain
Port Ethernet	10/100BASE-T
Communication network type	Ethernet IP Modbus TCP IPv4 (internet protocol)
Communication service	Ethernet/IP adapter Modbus TCP/IP server RSTP (Ring topology support) SNMP Web server DHCP client BOOTP Address conflict detection FTP server
Web services	Web server, Ethernet Web server, USB
Current consumption	0.8 A at 24 V DC internal supply maximum 7 expansion modules
Local signalling	1 LED green/red for PWR (System Status) 1 LED green/red for MS (Module Status) 1 LED green/red for NS (Network Status) 1 LED green/red for I/O status
Fixing mode	By clipping locks (rail) By screws (mounting plate)
Product certifications	CE cULus EAC RCM UKCA EU-RO MR

Disclaimer: This documentation is not intended as a substitute for and is not to be used for determining suitability or reliability of these products for specific user applications

Standards	IEC 61131-2 UL/CSA 61010-1 UL/CSA 61010-2-201
Width	27 mm
Height	96.5 mm
Depth	70 mm
Net weight	0.10 kg

Environment

Ambient air temperature for storage	-25...70 °C
Pollution degree	2
Ambient air temperature for operation	-10...60 °C
IP degree of protection	IP20 conforming to IEC/EN 61010-2-201
Relative humidity	10...95 % non-condensing
Operating altitude	0...2000 m
Storage altitude	0...3000 m
Vibration resistance	3M4 on 35 x 15 mm symmetrical DIN rail

Packing Units

Unit Type of Package 1	PCE
Number of Units in Package 1	1
Package 1 Height	7.400 cm
Package 1 Width	10.400 cm
Package 1 Length	12.500 cm
Package 1 Weight	178.000 g
Unit Type of Package 2	S03
Number of Units in Package 2	18
Package 2 Height	30.000 cm
Package 2 Width	30.000 cm
Package 2 Length	40.000 cm
Package 2 Weight	3.840 kg

Logistical informations

Country of origin	ID
--------------------------	----

Contractual warranty

Warranty	18 months
-----------------	-----------



Environmental Data

Schneider Electric aims to achieve Net Zero status by 2050 through supply chain partnerships, lower impact materials, and circularity via our ongoing “Use Better, Use Longer, Use Again” campaign to extend product lifetimes and recyclability.

[Environmental Data explained >](#)

[How we assess product sustainability >](#)

Environmental footprint

Total lifecycle Carbon footprint 158

Environmental Disclosure [Product Environmental Profile](#)

Use Better

Materials and Substances

Packaging made with recycled cardboard Yes

Packaging without single use plastic Yes

[EU RoHS Directive](#) Pro-active compliance (Product out of EU RoHS legal scope)

SCIP Number 3b9533ee-f829-495f-9b87-8bb0822090f1

REACH Regulation [REACH Declaration](#)

PVC free Yes

Use Again

Repack and remanufacture

End of life manual availability [End of Life Information](#)

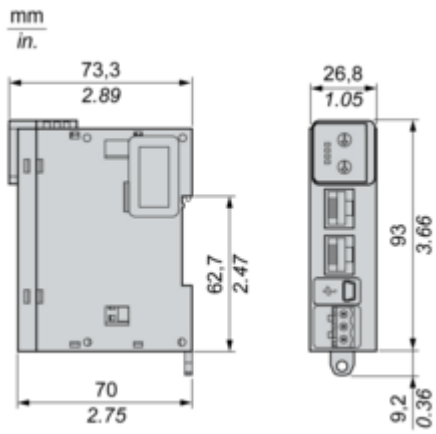
Take-back No

WEEE Label  The product must be disposed on European Union markets following specific waste collection and never end up in rubbish bins

Dimensions Drawings

Dimensions

Side and Front Views



Mounting and Clearance

Spacing Requirements

