

Product datasheet

Specifications



Modicon TM3 - 8 inputs (screw) 24Vdc

TM3DI8

EAN Code: 3606480611360

Main

Range of product	Modicon TM3
Product or component type	Discrete input module
Range compatibility	Modicon M241 Modicon M251 Modicon M221 Modicon M262

Complementary

Maximum cable distance between devices	Unshielded cable: <30 m for regular input
Local signalling	1 LED per channel (green) for input status
Mounting support	Top hat type TH35-15 rail conforming to IEC 60715 Top hat type TH35-7.5 rail conforming to IEC 60715 plate or panel with fixing kit
Height	90 mm
Width	27.4 mm
Depth	84.6 mm
Net weight	0.085 kg

Environment

Marking	CE
Pollution degree	2

Packing Units

Unit Type of Package 1	PCE
Number of Units in Package 1	1
Package 1 Height	7.652 cm
Package 1 Width	10.664 cm
Package 1 Length	12.68 cm
Package 1 Weight	220.0 g
Unit Type of Package 2	CAR
Number of Units in Package 2	42
Package 2 Height	29.4 cm
Package 2 Width	39.5 cm
Package 2 Length	57.7 cm

Package 2 Weight	10.32 kg
Unit Type of Package 3	P12
Number of Units in Package 3	504
Package 3 Height	105 cm
Package 3 Width	120 cm
Package 3 Length	80 cm
Package 3 Weight	133 kg

Logistical informations

Country of origin	TW
-------------------	----

Contractual warranty

Warranty	18 months
----------	-----------



Environmental Data

Schneider Electric aims to achieve Net Zero status by 2050 through supply chain partnerships, lower impact materials, and circularity via our ongoing “Use Better, Use Longer, Use Again” campaign to extend product lifetimes and recyclability.

[Environmental Data explained >](#)

[How we assess product sustainability >](#)

Environmental footprint

Total lifecycle Carbon footprint 27

Environmental Disclosure [Product Environmental Profile](#)

Use Better

Materials and Substances

Packaging made with recycled cardboard Yes

Packaging without single use plastic Yes

[EU RoHS Directive](#) Pro-active compliance (Product out of EU RoHS legal scope)

REACH Regulation [REACH Declaration](#)

PVC free Yes

Use Again

Repack and remanufacture

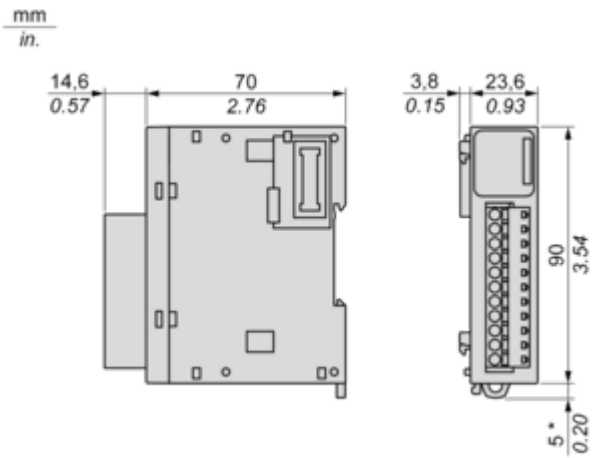
End of life manual availability [End of Life Information](#)

Take-back No

WEEE Label  The product must be disposed on European Union markets following specific waste collection and never end up in rubbish bins

Dimensions Drawings

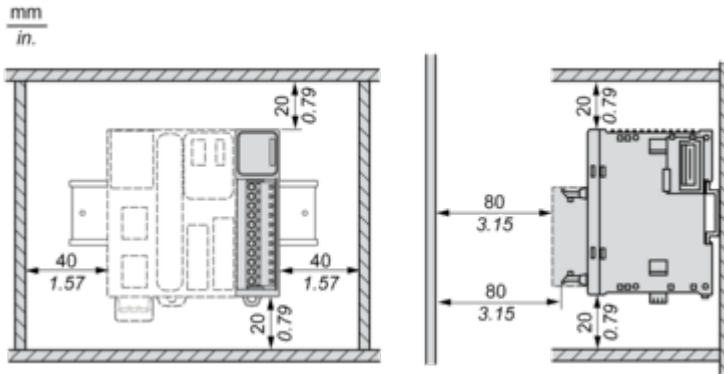
Dimensions



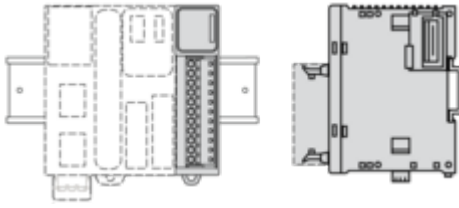
(*) 8.5 mm/0.33 in. when the clamp is pulled out.

Mounting and Clearance

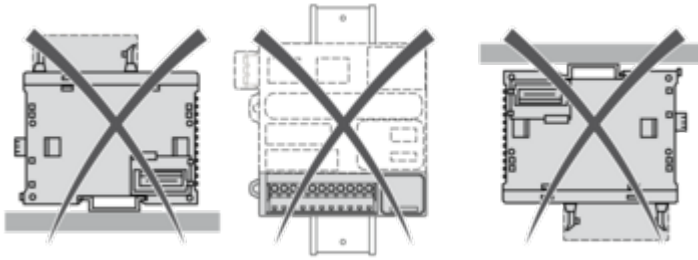
Spacing Requirements



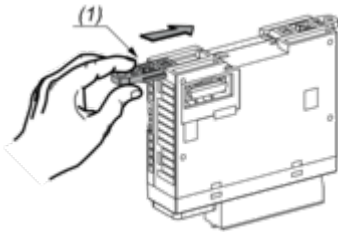
Mounting on a Rail



Incorrect Mounting

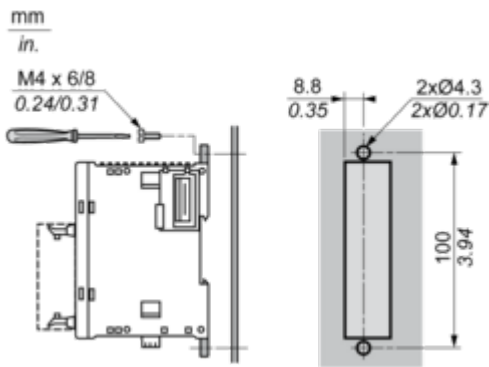


Mounting on a Panel Surface



(1) Install a mounting strip

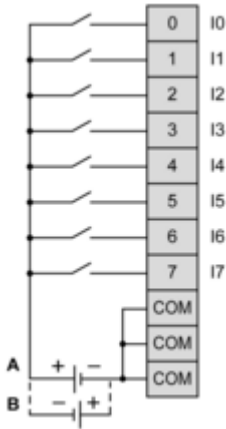
Mounting Hole Layout



Connections and Schema

Digital Input Module (8-channel, 24 Vdc)

Wiring Diagram



The 3 COM terminals are connected internally.

- (A) Sink wiring (positive logic)
- (B) Source wiring (negative logic)