

Product datasheet

Specifications



graphic display unit - 240 x 160 pixels

TMH2GDB

EAN Code: 3606480752216

Main

Range of product	Modicon M221
Product or component type	Graphic display
Range compatibility	Modicon M221
Current consumption	40 mA at 5 V DC via RJ45 connector
Power consumption in W	1 W
Display type	Backlit colour STN LCD
Display colour	Monochrome
Display resolution	240 x 160 pixels
Number of key	4 configurable 6 for navigation

Complementary

Standards	IEC 61131-2 IEC 61010-2-201
Product certifications	cULus
Marking	CE
Mounting location	Front cabinet diameter: 22 mm hole Bottom of cabinet diameter: 22 mm hole, connection via mounting accessory
Connector type	RJ45 for communication and power supply
Height	126 mm
Width	80 mm
Depth	63 mm
Net weight	0.17 kg

Environment

Ambient air temperature for operation	-15...50 °C
Operating altitude	0...2000 m
Storage altitude	0...2000 m
Environmental characteristic	Corrosive gas free
Relative humidity	95 %, non-condensing (transport) 95 %, non-condensing (storage) 95 %, non-condensing (operation)
Ambient air temperature for storage	-40...70 °C

IP degree of protection	IP65 front face: IP20 back part:
Pollution degree	2 conforming to IEC 60664-1
Vibration resistance	1.5 mm (f= 3...150 Hz) 2 gn
Shock resistance	15 gn for 11 ms
Electromagnetic compatibility	<p>Electrostatic discharge - test level: 8 kV (air discharge) conforming to IEC 61000-4-2</p> <p>Electrostatic discharge - test level: 4 kV (contact discharge) conforming to IEC 61000-4-2</p> <p>Radiated radio-frequency electromagnetic field immunity test - test level: 10 V/m (80 MHz...1 GHz) conforming to IEC 61000-4-3</p> <p>Radiated radio-frequency electromagnetic field immunity test - test level: 3 V/m (1.4...2 GHz) conforming to IEC 61000-4-3</p> <p>Radiated radio-frequency electromagnetic field immunity test - test level: 1 V/m (2...3 GHz) conforming to IEC 61000-4-3</p> <p>Magnetic field at power frequency - test level: 30 A/m (50/60 Hz) conforming to IEC 61000-4-8</p> <p>Electrical fast transient/burst immunity test - test level: 1 kV conforming to IEC 61000-4-4</p> <p>Surge immunity test - test level: 0.5 kV (common mode) conforming to IEC 61000-4-5</p> <p>Surge immunity test - test level: 0.5 kV (differential mode) conforming to IEC 61000-4-5</p> <p>Conducted RF disturbances - test level: 10 Vrms (0.15...80 MHz) conforming to IEC 61000-4-6</p> <p>Disturbing field emission - test level: 10...150 kHz (power lines (DC)) conforming to IEC 55011</p> <p>Disturbing field emission - test level: 120...69 dBμV/m QP (power lines (DC)) conforming to IEC 55011</p> <p>Disturbing field emission - test level: 150...1500 kHz (power lines (DC)) conforming to IEC 55011</p> <p>Disturbing field emission - test level: 1.5...30 kHz (power lines (DC)) conforming to IEC 55011</p> <p>Disturbing field emission - test level: 30...230 MHz class A (10 m) conforming to IEC 55011</p> <p>Disturbing field emission - test level: 230 MHz...1 GHz class A (10 m) conforming to IEC 55011</p> <p>Disturbing field emission - test level: 79...63 dBμV/m QP (power lines (DC)) conforming to IEC 55011</p> <p>Disturbing field emission - test level: 63 dBμV/m QP (power lines (DC)) conforming to IEC 55011</p> <p>Disturbing field emission - test level: 40 dBμV/m QP class A (10 m) conforming to IEC 55011</p> <p>Disturbing field emission - test level: 47 dBμV/m QP class A (10 m) conforming to IEC 55011</p>

Packing Units

Unit Type of Package 1	PCE
Number of Units in Package 1	1
Package 1 Height	8.100 cm
Package 1 Width	14.000 cm
Package 1 Length	18.500 cm
Package 1 Weight	326.000 g
Unit Type of Package 2	S03
Number of Units in Package 2	12
Package 2 Height	30.000 cm
Package 2 Width	30.000 cm
Package 2 Length	40.000 cm
Package 2 Weight	4.740 kg

Logistical informations

Country of origin

ID

Contractual warranty

Warranty

18 months



Environmental Data

Schneider Electric aims to achieve Net Zero status by 2050 through supply chain partnerships, lower impact materials, and circularity via our ongoing “Use Better, Use Longer, Use Again” campaign to extend product lifetimes and recyclability.

[Environmental Data explained >](#)

[How we assess product sustainability >](#)

Environmental footprint

Total lifecycle Carbon footprint 53

Environmental Disclosure [Product Environmental Profile](#)

Use Better

Materials and Substances

Packaging made with recycled cardboard No

Packaging without single use plastic No

[EU RoHS Directive](#) Pro-active compliance (Product out of EU RoHS legal scope)

SCIP Number 7815f7f5-1bc2-4e36-a012-cfda55fde533

REACH Regulation [REACH Declaration](#)

PVC free Yes

Use Again

Repack and remanufacture

End of life manual availability [End of Life Information](#)

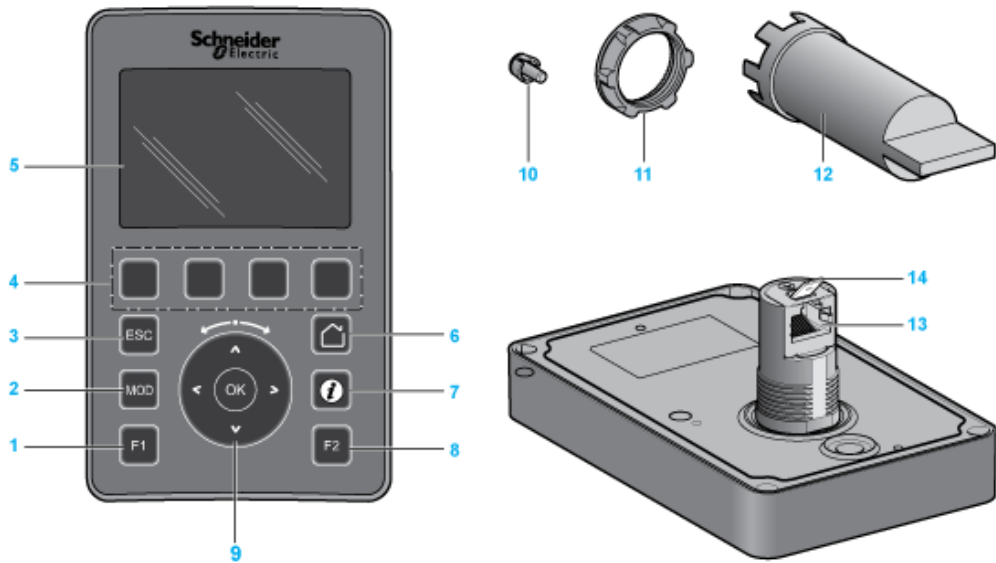
Take-back No

WEEE Label  The product must be disposed on European Union markets following specific waste collection and never end up in rubbish bins

Presentation

Remote Graphic Display

Overview

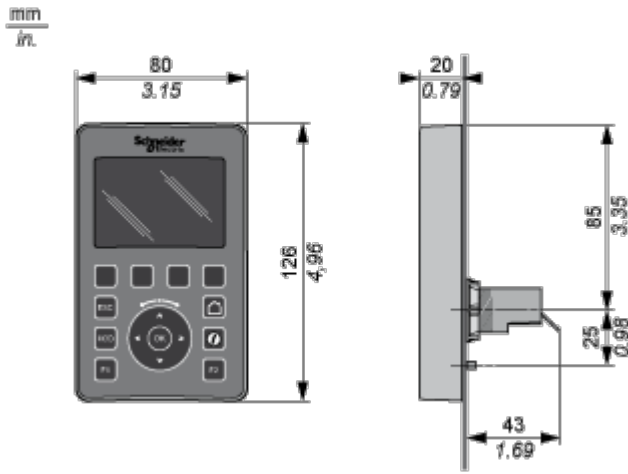


- 1 : F1 key
- 2 : MOD key
- 3 : ESC key
- 4 : R1 to R4 keys
- 5 : Graphic screen
- 6 : Home key
- 7 : Information key
- 8 : F2 key
- 9 : Touch wheel/OK/Arrows
- 10 : Anti-rotation tee
- 11 : Installation nut
- 12 : Socket wrench (ZB5AZ905)
- 13 : RJ45 serial line (RS-485)
- 14 : Connector for functional ground (earth)

Dimensions Drawings

Remote Graphic Display

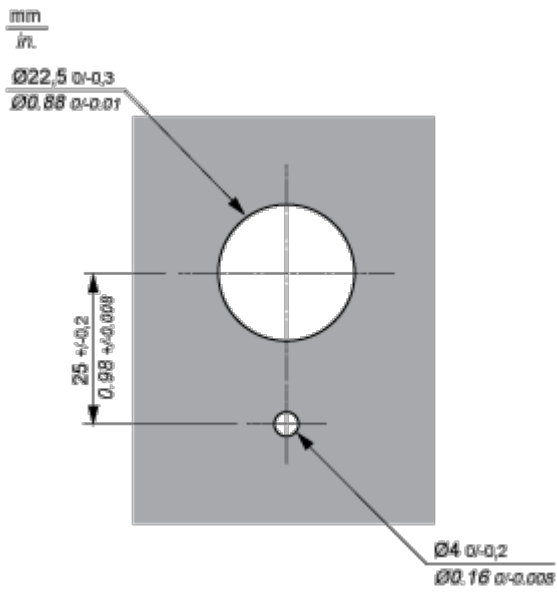
Dimensions



Mounting and Clearance

Mounting and Clearances

Mounting Hole Layout



Minimum Clearances

