

Product datasheet

Specifications



braking resistor - IP 00 - 100 Ohm - 28 W

Local distributor code:
393604582

VW3A7723

EAN Code: 3606480075827

Main

Range of product	Altivar
Range compatibility	Altivar 12 Altivar 312 Altivar 312 Solar Easy Altivar 310 Easy Altivar 310L
Product compatibility	Variable speed drive ATV310 at 1.5 kW Variable speed drive ATV310 at 2.2 kW ATV12H018M2 ATV12H018M3 ATV12H037M2 ATV12H037M3 ATV12H055M2 ATV12H075M2 ATV12H075M3 ATV12HU15M2 ATV12HU15M3 ATV12P037M2 ATV12P037M3 ATV12P055M2 ATV12P075M2 ATV12P075M3 ATV12PU15M3 ATV312H018M2 ATV312H018M3 ATV312H037M2 ATV312H037M3 ATV312H037N4 ATV312H055M2 ATV312H055M3 ATV312H055N4 ATV312H075M2 ATV312H075M3 ATV312H075N4 ATV312HU11M2 ATV312HU11M3 ATV312HU11N4 ATV312HU15M2 ATV312HU15M3 ATV312HU15N4 ATV312HU22N4 ATV312H075S6 ATV312HU15S6 ATV312HU22S6 Variable speed drive ATV310L at 0.75 kW Variable speed drive ATV310L at 1.5 kW Variable speed drive ATV310L at 2.2 kW Variable speed drive ATV310L at 3.0 kW Variable speed drive ATV310L at 4.0 kW Variable speed drive ATV310L at 5.5 kW
Ohmic value	100 Ohm

Complementary

Average power available	28 W at 50 °C 32 W at 40 °C
--------------------------------	--------------------------------

Disclaimer: This documentation is not intended as a substitute for and is not to be used for determining suitability or reliability of these products for specific user applications

Width	60 mm
Height	170 mm
Depth	30 mm
Net weight	0.605 kg

Packing Units

Unit Type of Package 1	PCE
Number of Units in Package 1	1
Package 1 Height	7.500 cm
Package 1 Width	17.500 cm
Package 1 Length	23.500 cm
Package 1 Weight	667.000 g
Unit Type of Package 2	S04
Number of Units in Package 2	12
Package 2 Height	30.000 cm
Package 2 Width	40.000 cm
Package 2 Length	60.000 cm
Package 2 Weight	9.323 kg
Unit Type of Package 3	P06
Number of Units in Package 3	56
Package 3 Height	105.000 cm
Package 3 Width	60.000 cm
Package 3 Length	80.000 cm
Package 3 Weight	64.500 kg

Logistical informations

Country of origin	FR
--------------------------	----

Contractual warranty

Warranty	18 months
-----------------	-----------


Environmental Data

Schneider Electric aims to achieve Net Zero status by 2050 through supply chain partnerships, lower impact materials, and circularity via our ongoing “Use Better, Use Longer, Use Again” campaign to extend product lifetimes and recyclability.


[Environmental Data explained >](#)

[How we assess product sustainability >](#)

Use Better

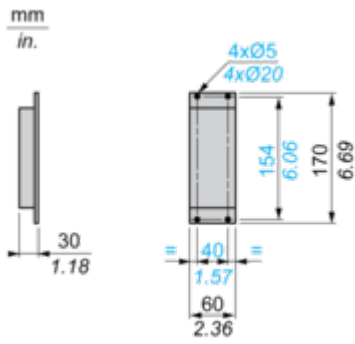
 Materials and Substances	
Packaging made with recycled cardboard	No
Packaging without single use plastic	No
EU RoHS Directive	Pro-active compliance (Product out of EU RoHS legal scope)
SCIP Number	735ea399-2868-47fa-83de-4130bb0137d4

Use Again

 Repack and remanufacture	
Take-back	No

Dimensions Drawings

Dimensions



Mounting and Clearance

Clearance

