

# Product datasheet

Specifications



## empty pendant control station XAC-D - directional operator, 1 opening

Local distributor code:

393522907

XACD022

⚠ Discontinued on: 10 Sept 2025

EAN Code: 3389110920895

⚠ Discontinued

## Main

Range of product	Harmony XAC
Product or component type	Pendant control station
Device short name	XACD

## Complementary

Control station type	Double insulated
Enclosure material	Polypropylene
Control type	Intuitive
Electrical circuit type	Control circuit Power circuit
enclosure type	Empty enclosure
Number of cut-out	1 cut-out
Control station colour	Yellow
Cable entry	Rubber sleeve with stepped entry 7...18 mm
Guard rail	Without
Standards	UL 508 IEC 60947-5-1 CSA C22.2 No 14
Protective treatment	TH
Ambient air temperature for operation	-25...70 °C
Ambient air temperature for storage	-40...70 °C
Vibration resistance	15 gn (f= 10...500 Hz) conforming to IEC 60068-2-6
Shock resistance	70 gn conforming to IEC 60068-2-27
Overvoltage category	Class II conforming to IEC 61140
IP degree of protection	IP65 conforming to IEC 60529
IK degree of protection	IK08 conforming to IEC 62262
Mechanical durability	1000000 cycles
Net weight	0.345 kg

## Packing Units

Unit Type of Package 1	PCE
Number of Units in Package 1	1

Package 1 Height	9.0 cm
Package 1 Width	12.2 cm
Package 1 Length	31.5 cm
Package 1 Weight	412.0 g
Unit Type of Package 2	S04
Number of Units in Package 2	14
Package 2 Height	30.0 cm
Package 2 Width	40.0 cm
Package 2 Length	60.0 cm
Package 2 Weight	6.658 kg

## Logistical informations

Country of origin	FR
-------------------	----

## Contractual warranty

Warranty	18 months
----------	-----------

## Environmental Data

Schneider Electric aims to achieve Net Zero status by 2050 through supply chain partnerships, lower impact materials, and circularity via our ongoing “Use Better, Use Longer, Use Again” campaign to extend product lifetimes and recyclability.

[Environmental Data explained >](#)

[How we assess product sustainability >](#)

### Environmental footprint

[Environmental Disclosure](#)

[Product Environmental Profile](#)

## Use Better

### Materials and Substances

Packaging made with recycled cardboard

Yes

Packaging without single use plastic

Yes

[EU RoHS Directive](#)

Pro-active compliance (Product out of EU RoHS legal scope)

REACH Regulation

[REACH Declaration](#)

## Use Again

### Repack and remanufacture

End of life manual availability

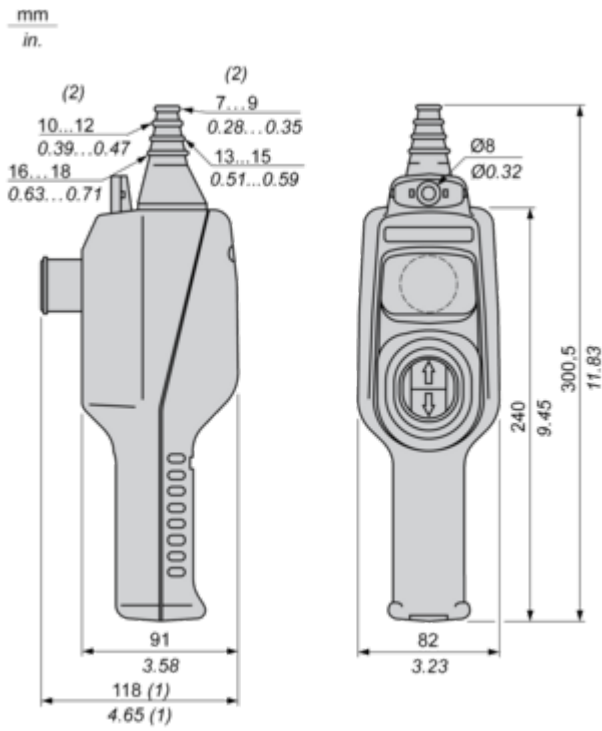
No need of specific recycling operations

Take-back

No

Dimensions Drawings

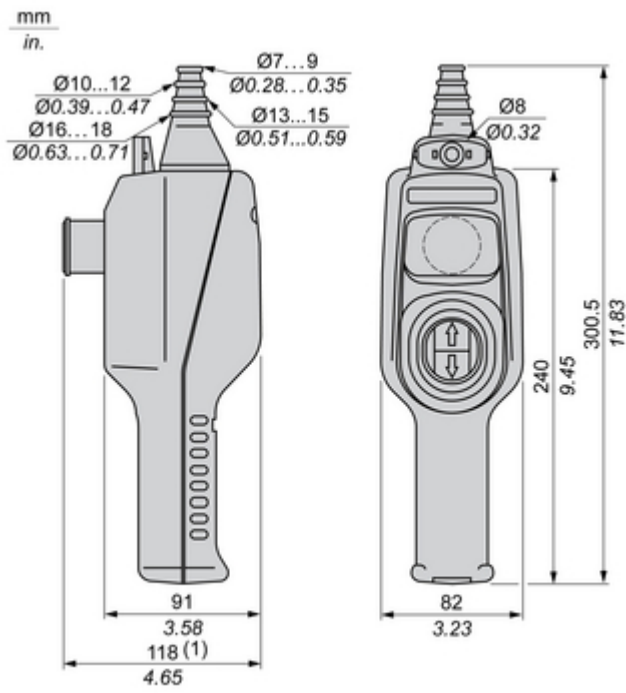
Dimensions



- (1) With trigger action latching Ø 30 mm / 1.18 in. Emergency stop.
- (2) Internal Ø

Technical Illustration

Dimensions



(1) With trigger action latching  $\varnothing 30$  mm / 1.18 in. Emergency stop.