

Product datasheet

Specifications



yellow empty enclosure lid with light grey base - 4 cut-outs

Local distributor code:

393523090

XALK04

EAN Code: 3389110127331

Main

Range of product	Harmony XALK
Product or component type	Empty control station
Device short name	XALK
Product destination	For XB5 Ø 22 mm control and signalling units
Control station application	Emergency stop function Emergency switching off function
Number of cut-out	4 cut-outs
Colour of base of enclosure	Light grey (RAL 7035)
Colour of cover	Yellow (RAL 1021)
Material	Polycarbonate
Cable entry	2 knock-outs for cable entry, clamping capacity: 14 mm 2 knock-outs for Pg 13 cable gland and ISO M20, clamping capacity: 12 mm
IP degree of protection	IP66 conforming to IEC 60529 IP67 IP69 IP69K

Complementary

Assembly style	For customer assembly
Number of horizontal rows	1
Number of vertical rows	4
Net weight	0.278 kg
Resistance to high pressure washer	7000000 Pa at 55 °C, distance : 0.1 m
Mounting of block	Rear mounting Front mounting
Main group	4 cut-outs
Group of product	Standard yellow

Environment

Protective treatment	TH
Ambient air temperature for storage	-40...70 °C
Ambient air temperature for operation	-40...70 °C
Overvoltage category	Class II conforming to IEC 60536
NEMA degree of protection	NEMA 13 NEMA 4X

IK degree of protection	IK03 conforming to IEC 62262
--------------------------------	------------------------------

Standards	UL 508 JIS C8201-5-1 IEC 60947-5-1 IEC 60947-5-5 IEC 60947-5-4 CSA C22.2 No 14 IEC 60947-1 JIS C8201-1
------------------	---

Packing Units

Unit Type of Package 1	PCE
-------------------------------	-----

Number of Units in Package 1	1
-------------------------------------	---

Package 1 Height	7.400 cm
-------------------------	----------

Package 1 Width	8.300 cm
------------------------	----------

Package 1 Length	17.000 cm
-------------------------	-----------

Package 1 Weight	254.000 g
-------------------------	-----------

Logistical informations

Country of origin	CZ
--------------------------	----

Contractual warranty

Warranty	18 months
-----------------	-----------

Environmental Data

Schneider Electric aims to achieve Net Zero status by 2050 through supply chain partnerships, lower impact materials, and circularity via our ongoing “Use Better, Use Longer, Use Again” campaign to extend product lifetimes and recyclability.

[Environmental Data explained >](#)

[How we assess product sustainability >](#)

Environmental footprint

Total lifecycle Carbon footprint 2

Environmental Disclosure [Product Environmental Profile](#)

Use Better

Materials and Substances

Packaging made with recycled cardboard Yes

Packaging without single use plastic Yes

[EU RoHS Directive](#) Pro-active compliance (Product out of EU RoHS legal scope)

REACH Regulation [REACH Declaration](#)

Use Again

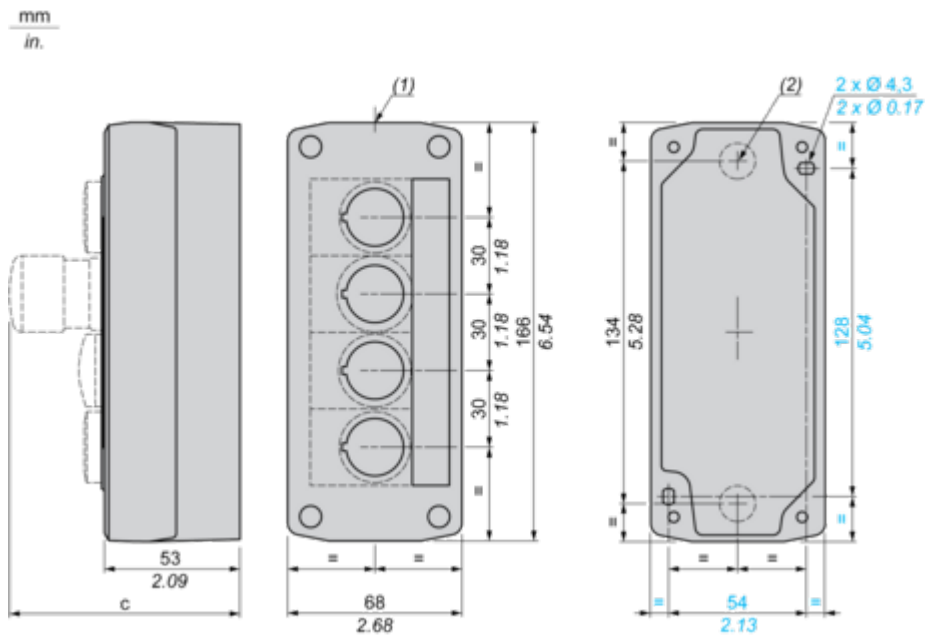
Repack and remanufacture

End of life manual availability [End of Life Information](#)

Take-back No

Dimensions Drawings

Dimensions



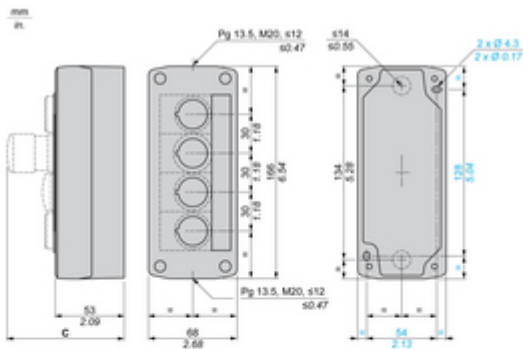
(1) 2 knock-outs for Pg 13.5 cable gland, maximum capacity 12 mm/0.47 in.

(2) Knock-out for cable entry, maximum capacity 14 mm/0.55 in.

Control station fitted with:	c in mm	c in in.
Flush pushbutton	62	2.44
Pilot light	64	2.52
Illuminated pushbutton	65.5	2.58
Projecting pushbutton	66	2.60
Selector switch	80	3.15
Mushroom head pushbutton	91.5	3.58
Latching mushroom head Emergency stop pushbutton with key	115	4.53
Key switch	105.5	4.15

Technical Illustration

Dimensions



C	mm	in.
ZBSA1e, ZBSA10e	62	2.44
ZBSAVe	64	2.52
ZBSAW3e	65.5	2.58
ZBSALe, ZBSAW1e, ZBSA7e, ZBSA7e3	66	2.6
ZBSADe, ZBSA8e	80	3.15
ZBSA5e, ZBSA7e, ZBSACe, ZBSARe, ZBSAW4e, ZBSAW5e, ZBSA5e, ZBSA5e, ZBSA5e	91.5	3.58
ZBSA9e, ZBSA51e, ZBSA57e	115	4.53
ZBSAGe	105.5	4.15