

Product datasheet

Specifications



small panel with keypad - matrix screen - green - 122 x 32 pixels - 5 V DC

Local distributor code:

389859037

XBTR400

! Discontinued

! Discontinued on: 5 Dec 2020

! End-of-service on: 8 May 2021

EAN Code: 3389119000031

Main

Range of product	Magelis XBTR
Display resolution	122 x 32 pixels
Software type	Configuration software
Software designation	Vijeo Designer Lite
Operating system	Windows

Complementary

Display type	Matrix backlit LCD
Character font	Greek Cyrillic Chinese (simplified Chinese) Katakana Latin
Number of key	20
Number of fixed keys	8
Number of customisable keys	12
Number of pages	256 alarm pages 200 application pages
Memory type	Flash
Memory capacity	512 KB
Integrated connection type	Serial link: female RJ45, asynchronous transmission mode (RS232C/RS485)point-to-point topology
Realtime clock	Access to the PLC real-time clock
Range compatibility	Twido Modicon Premium Modicon M340 Modicon TSX Micro
Product mounting	Flush mounting
Fixing mode	By 4 spring clips
Display material	Polyester
Front material	PPT
Keypad material	Polyester
Marking	CE

Height	118 mm
Width	137 mm
Depth	78 mm
Cut-out dimensions	119.6 (+/- 0.5) x 105.2 (+/- 0.4) mm
Net weight	0.55 kg

Environment

Product or component type	Small panel with keypad
Display colour	Green
display capacity	4 lines of 20 characters maximum 1 line of 5 characters minimum
[Us] rated supply voltage	5 V DC
Supply	From PLC (terminal port)
Downloadable protocols	Modbus Uni-TE
Standards	UL 508 CSA C22.2 No 14 IEC 60068-2-6 IEC 60068-2-27 IEC 61131-2
Product certifications	UL 1604 ATEX zone 2/22 UL Class 1 Division 2 CSA Class 1 Division 2
Ambient air temperature for operation	0...55 °C
Ambient air temperature for storage	-20...60 °C
Relative humidity	0...85 % without condensation
IP degree of protection	IP20 (rear panel) conforming to IEC 60529 IP65 (front panel) conforming to IEC 60529
NEMA degree of protection	NEMA 4X front panel (outdoor use)
Shock resistance	15 gn for 11 ms
Vibration resistance	+/- 3.5 mm (f= 2...8.45 Hz) 1 gn (f= 8.45...150 Hz)

Packing Units

Unit Type of Package 1	PCE
Number of Units in Package 1	1
Package 1 Height	4.3 cm
Package 1 Width	17.0 cm
Package 1 Length	25.0 cm
Package 1 Weight	594.0 g
Unit Type of Package 2	S03
Number of Units in Package 2	10
Package 2 Height	30.0 cm
Package 2 Width	30.0 cm
Package 2 Length	40.0 cm

Package 2 Weight 6.39 kg

Contractual warranty

Warranty 18 months

Environmental Data

Schneider Electric aims to achieve Net Zero status by 2050 through supply chain partnerships, lower impact materials, and circularity via our ongoing "Use Better, Use Longer, Use Again" campaign to extend product lifetimes and recyclability.

[Environmental Data explained >](#)

[How we assess product sustainability >](#)

Use Better

Materials and Substances

[EU RoHS Directive](#)

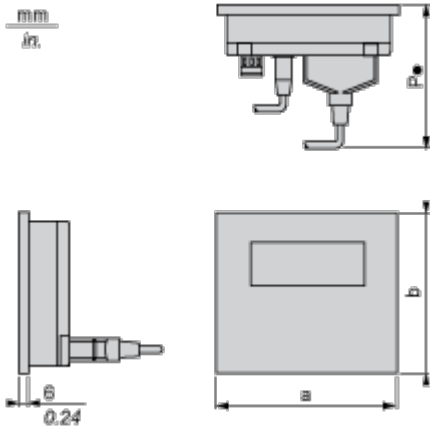
Pro-active compliance (Product out of EU RoHS legal scope)

SCIP Number

5629a25e-5f99-4543-b10b-02074614e81c

Dimensions Drawings

Dimensions



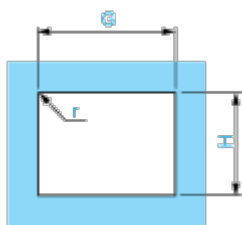
a		a1 (1)		b		b1 (1)		P1 (2)	
mm	in.	mm	in.	mm	in.	mm	in.	mm	in.
137	5.39	160	6.29	118	5	146	6	78	3.07

(1) With fixing clips (included with product)

(2) P1: depth with RJ45 cable XBTZ9780 (for Twido, TSX Micro and Premium)

Mounting and Clearance

Cut-out for Flush Mounting



Panel thickness = 1.5...6 mm / 0.05...0.23 in.

H		G		r max.	
±0.4 mm	±0.02 in.	±0.5 mm	±0.02 in.	mm	in.
105.2	4.14	119.6	5	1.5	0.05