

# Product datasheet

Specifications



## 120mm Rotating Mirror Red 24VAC-DC

Local distributor code:  
398334608

XVR12B04S

EAN Code: 3606480033230

### Main

Range of product	Harmony XVR
Product or component type	Prewired rotating mirror beacon
Sound signalling	Buzzer
Device short name	XVR
Mounting diameter	120 mm
IP degree of protection	IP23 conforming to IEC 60529
[Us] rated supply voltage	24 V AC/DC
Light source	High luminosity LED, red
Noise level	50...90 dB (continuous or intermittent tone) at 1 m

### Complementary

Material	ABS (acrylonitrile butadiene-styrene): body part AS: globe
CAD overall width	120 mm
CAD overall depth	120 mm
Net weight	0.5 kg
Marking	CE
Product mounting	By 3 M5 screws
Supply voltage limits	19...30 V DC 21.6...26.4 V AC
[Uimp] rated impulse withstand voltage	0.8 kV
Current consumption	196 mA
Flashing frequency	2.3 Hz
Clamping connection capacity	0.83 mm <sup>2</sup>
AWG gauge	AWG 18
Cable length	400 mm

### Environment

Standards	IEC 61000-6-4 IEC 61000-6-2
Protective treatment	TC
Ambient air temperature for storage	-35...70 °C
Ambient air temperature for operation	-10...50 °C

---

Electrical shock protection class    Class II conforming to IEC 61140

## Packing Units

---

Unit Type of Package 1            PCE

---

Number of Units in Package 1    1

---

Package 1 Height                  19.500 cm

---

Package 1 Width                  13.800 cm

---

Package 1 Length                 14.000 cm

---

Package 1 Weight                 665.000 g

---

Unit Type of Package 2            S04

---

Number of Units in Package 2    8

---

Package 2 Height                 30.000 cm

---

Package 2 Width                 40.000 cm

---

Package 2 Length                 60.000 cm

---

Package 2 Weight                 6.522 kg

---

## Logistical informations

---

Country of origin                  ID

## Contractual warranty

---

Warranty                             18 months

## Environmental Data

Schneider Electric aims to achieve Net Zero status by 2050 through supply chain partnerships, lower impact materials, and circularity via our ongoing “Use Better, Use Longer, Use Again” campaign to extend product lifetimes and recyclability.

[Environmental Data explained >](#)

[How we assess product sustainability >](#)

### Environmental footprint

Total lifecycle Carbon footprint 23

Environmental Disclosure [Product Environmental Profile](#)

## Use Better

### Materials and Substances

Packaging made with recycled cardboard Yes

Packaging without single use plastic No

[EU RoHS Directive](#) Pro-active compliance (Product out of EU RoHS legal scope)

REACH Regulation [REACH Declaration](#)

## Use Again

### Repack and remanufacture

End of life manual availability [End of Life Information](#)

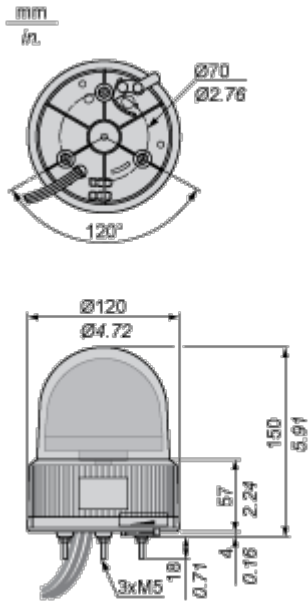
Take-back No

Dimensions Drawings

Rotating Mirror Beacon

---

Dimensions

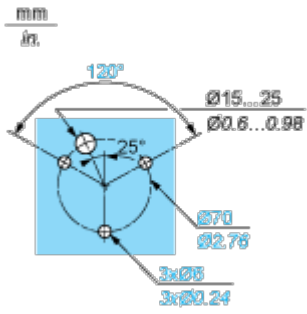


Mounting and Clearance

Rotating Mirror Beacon

---

Panel Cut-out



Technical Illustration

Dimensions

---

