

Product datasheet

Specifications



120mm Rotating Mirror Orange 24VAC-DC

Local distributor code:
398334611

XVR12B05S

EAN Code: 3606480033247

Main

Range of product	Harmony XVR
Product or component type	Prewired rotating mirror beacon
Sound signalling	Buzzer
Device short name	XVR
Mounting diameter	120 mm
IP degree of protection	IP23 conforming to IEC 60529
[Us] rated supply voltage	24 V AC/DC
Light source	High luminosity LED, orange
Noise level	50...90 dB (continuous or intermittent tone) at 1 m

Complementary

Material	ABS (acrylonitrile butadiene-styrene): body part AS: globe
CAD overall width	120 mm
CAD overall depth	120 mm
Net weight	0.5 kg
Marking	CE
Product mounting	By 3 M5 screws
Supply voltage limits	19...30 V DC 21.6...26.4 V AC
[Uimp] rated impulse withstand voltage	0.8 kV
Current consumption	196 mA
Flashing frequency	2.3 Hz
Clamping connection capacity	0.83 mm ²
AWG gauge	AWG 18
Cable length	400 mm

Environment

Standards	IEC 61000-6-4 IEC 61000-6-2
Protective treatment	TC
Ambient air temperature for storage	-35...70 °C
Ambient air temperature for operation	-10...50 °C

Electrical shock protection class Class II conforming to IEC 61140

Packing Units

Unit Type of Package 1 PCE

Number of Units in Package 1 1

Package 1 Height 13.800 cm

Package 1 Width 13.800 cm

Package 1 Length 19.500 cm

Package 1 Weight 659.000 g

Unit Type of Package 2 S04

Number of Units in Package 2 8

Package 2 Height 30.000 cm

Package 2 Width 40.000 cm

Package 2 Length 60.000 cm

Package 2 Weight 6.609 kg

Logistical informations

Country of origin ID

Contractual warranty

Warranty 18 months

Environmental Data

Schneider Electric aims to achieve Net Zero status by 2050 through supply chain partnerships, lower impact materials, and circularity via our ongoing “Use Better, Use Longer, Use Again” campaign to extend product lifetimes and recyclability.

[Environmental Data explained >](#)

[How we assess product sustainability >](#)

Environmental footprint

Total lifecycle Carbon footprint 82

Environmental Disclosure [Product Environmental Profile](#)

Use Better

Materials and Substances

Packaging made with recycled cardboard Yes

Packaging without single use plastic No

[EU RoHS Directive](#) Pro-active compliance (Product out of EU RoHS legal scope)

Use Again

Repack and remanufacture

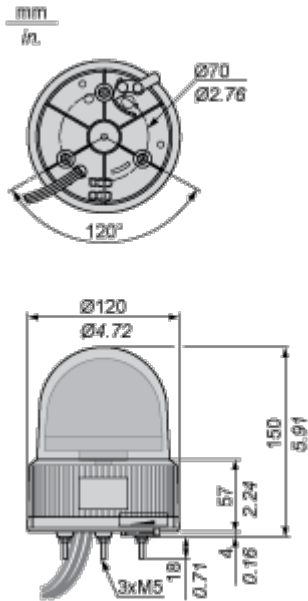
End of life manual availability [End of Life Information](#)

Take-back No

Dimensions Drawings

Rotating Mirror Beacon

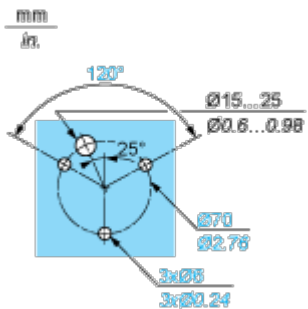
Dimensions



Mounting and Clearance

Rotating Mirror Beacon

Panel Cut-out



Technical Illustration

Dimensions

