

# Product datasheet

Specifications



## 130mm Rotating Mirror Red 24VDC

Local distributor code:

398334831

XVR13B04

**EAN Code: 3606480033292**

### Main

Range of product	Harmony XVR
Product or component type	Prewired rotating mirror beacon
Sound signalling	Without
Device short name	XVR
Mounting diameter	130 mm
IP degree of protection	IP66 (resistant to vibration) conforming to IEC 60529
[Us] rated supply voltage	24 V DC
Light source	High luminosity LED, red

### Complementary

Material	ABS (acrylonitrile butadiene-styrene): body part PC: globe
CAD overall width	130 mm
CAD overall depth	130 mm
Net weight	0.8 kg
Marking	CE
Product mounting	By 3 M8 screws
Supply voltage limits	19...30 V DC
[Uimp] rated impulse withstand voltage	0.8 kV
Current consumption	125 mA
Flashing frequency	2.7 Hz
Clamping connection capacity	1.25 mm <sup>2</sup>
AWG gauge	AWG 18
Cable length	400 mm

### Environment

Standards	IEC 61000-6-2 IEC 61000-6-4
Protective treatment	TC
Ambient air temperature for storage	-35...70 °C
Ambient air temperature for operation	-30...50 °C
Electrical shock protection class	Class II conforming to IEC 61140

## Packing Units

Unit Type of Package 1	PCE
Number of Units in Package 1	1
Package 1 Height	18.7 cm
Package 1 Width	18.7 cm
Package 1 Length	26.6 cm
Package 1 Weight	1.214 kg
Unit Type of Package 2	S04
Number of Units in Package 2	6
Package 2 Height	30.0 cm
Package 2 Width	40.0 cm
Package 2 Length	60.0 cm
Package 2 Weight	8.488 kg

## Logistical informations

Country of origin	ID
-------------------	----

## Contractual warranty

Warranty	18 months
----------	-----------

## Environmental Data

Schneider Electric aims to achieve Net Zero status by 2050 through supply chain partnerships, lower impact materials, and circularity via our ongoing “Use Better, Use Longer, Use Again” campaign to extend product lifetimes and recyclability.

[Environmental Data explained >](#)

[How we assess product sustainability >](#)

### Environmental footprint

Total lifecycle Carbon footprint 18

Environmental Disclosure [Product Environmental Profile](#)

## Use Better

### Materials and Substances

Packaging made with recycled cardboard Yes

Packaging without single use plastic No

[EU RoHS Directive](#) Pro-active compliance (Product out of EU RoHS legal scope)

## Use Again

### Repack and remanufacture

End of life manual availability [End of Life Information](#)

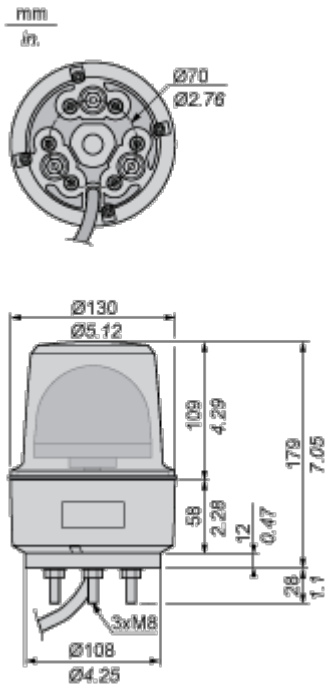
Take-back No

Dimensions Drawings

Rotating Mirror Beacon

---

Dimensions

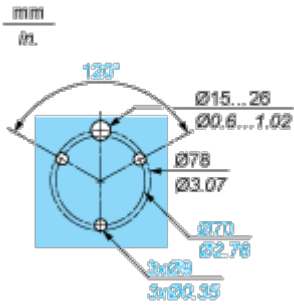


Mounting and Clearance

Rotating Mirror Beacon

---

Panel Cut-out



Technical Illustration

Dimensions

